

IFD5XX/4XX Interface Garmin G5 EADI/ EHSI/ EFIS

Avidyne Factory Authorized Installation Training

Section 3.54 – Garmin G5 EADI/ EHSI/ EFIS

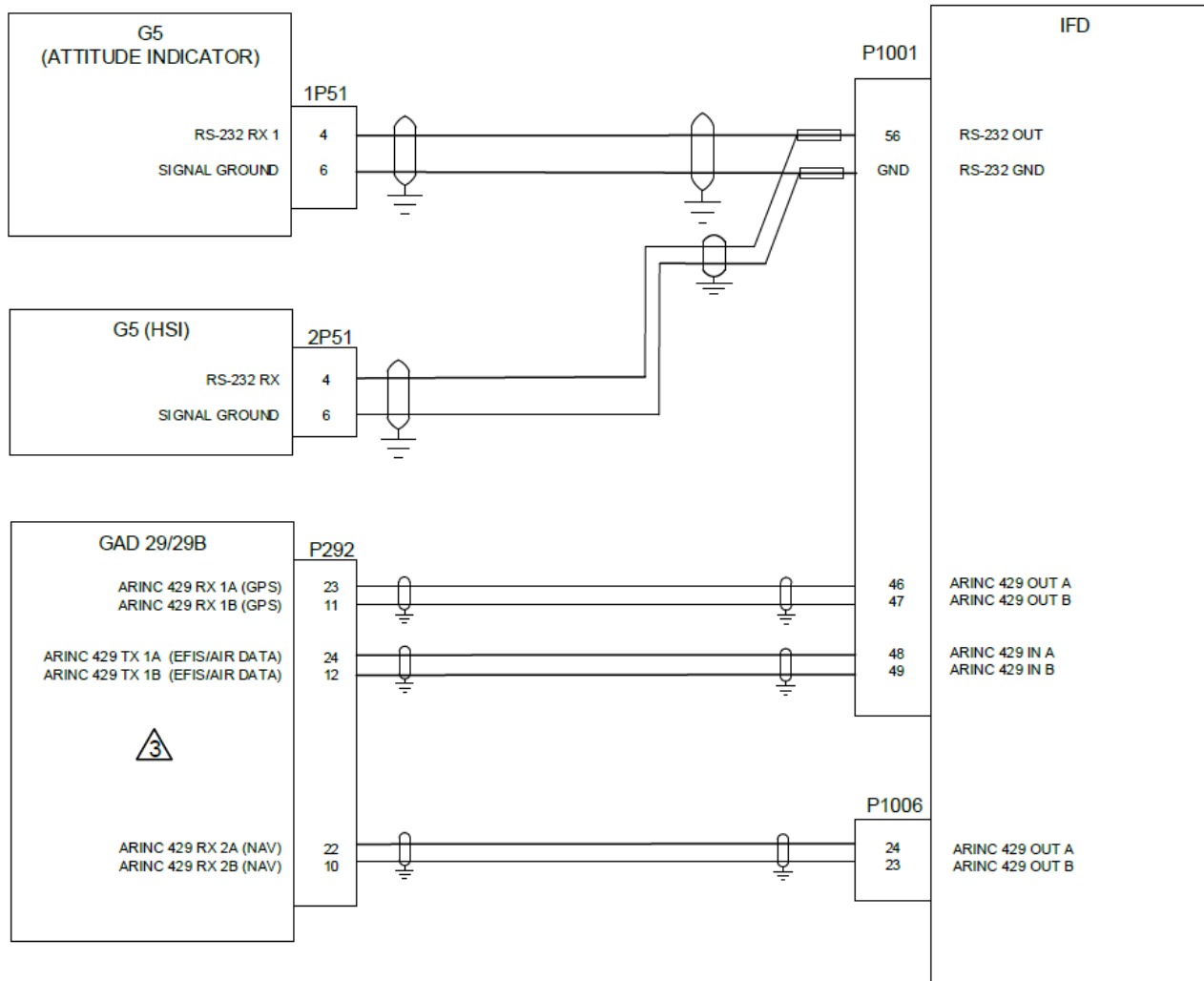


AVIDYNE

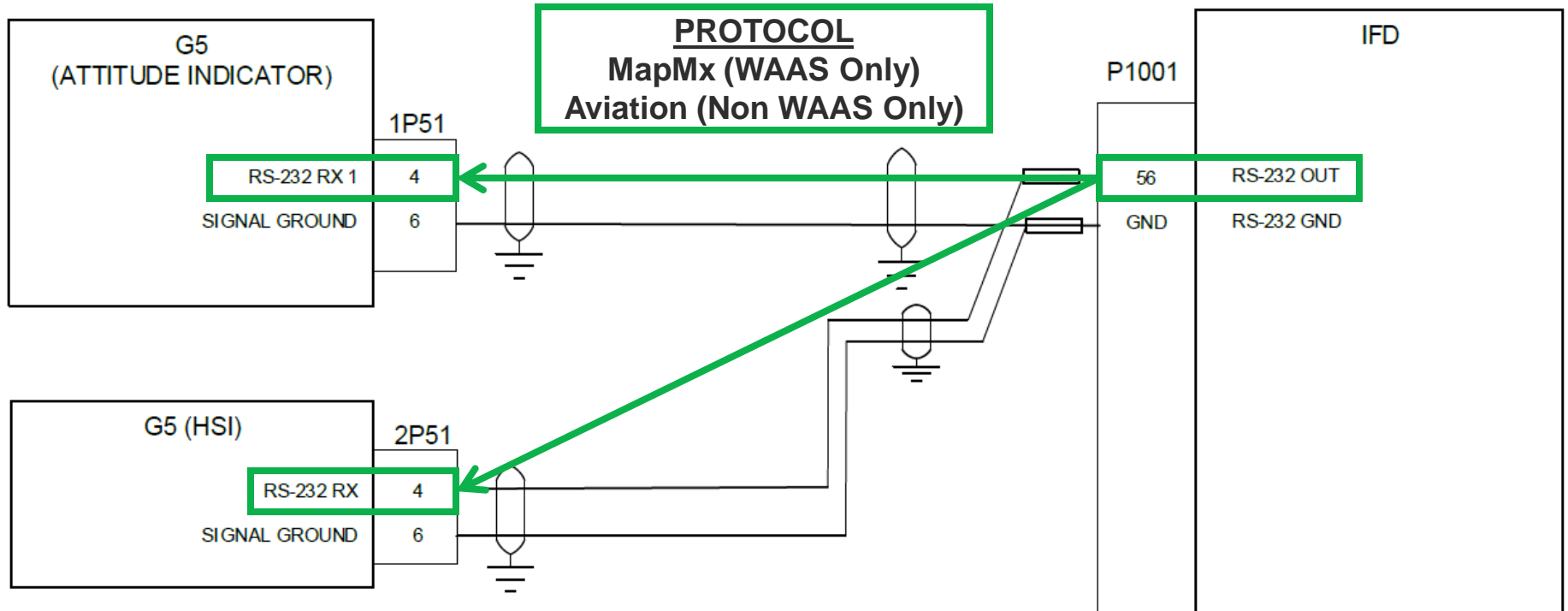
GARMIN G5 EFIS

Interface with IFD5XX/4XX

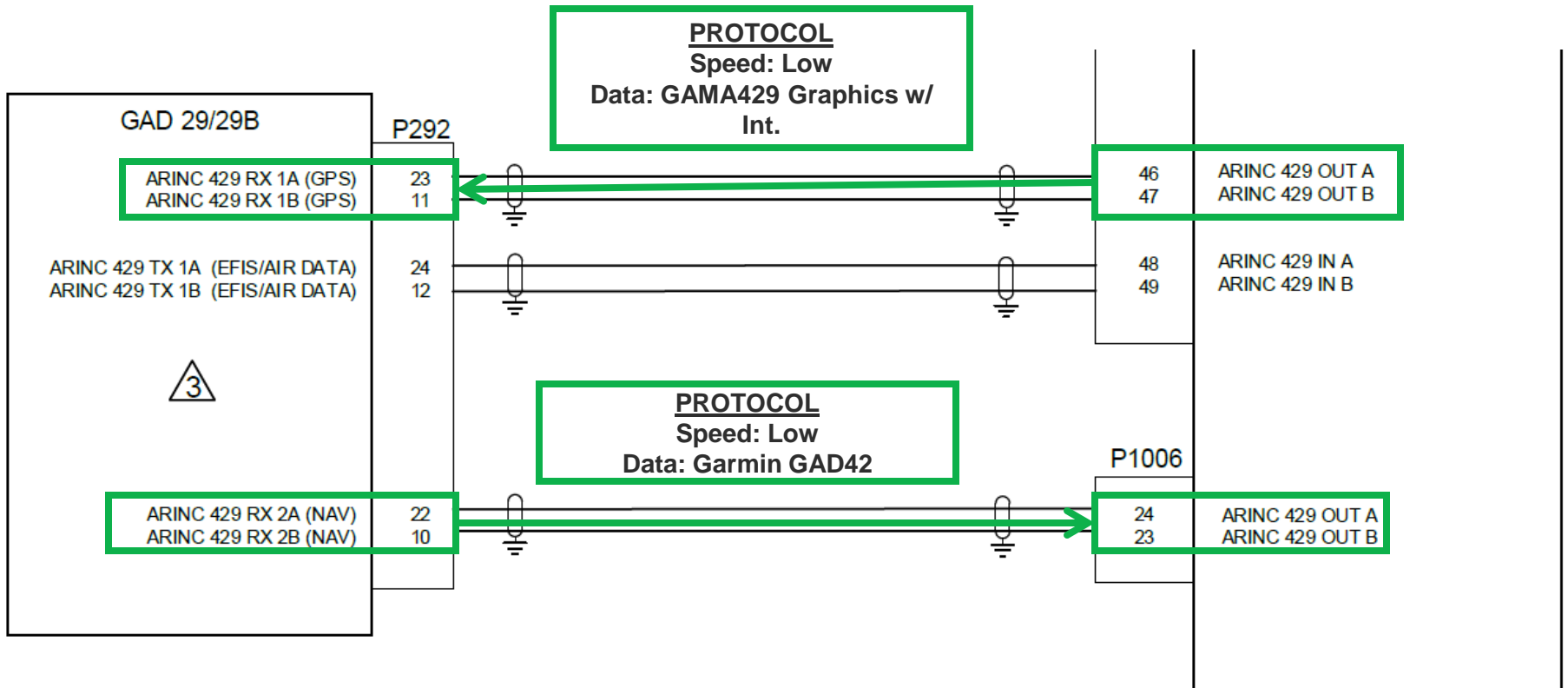
IFD5XX/4XX Interfaced with Garmin G5 EFIS



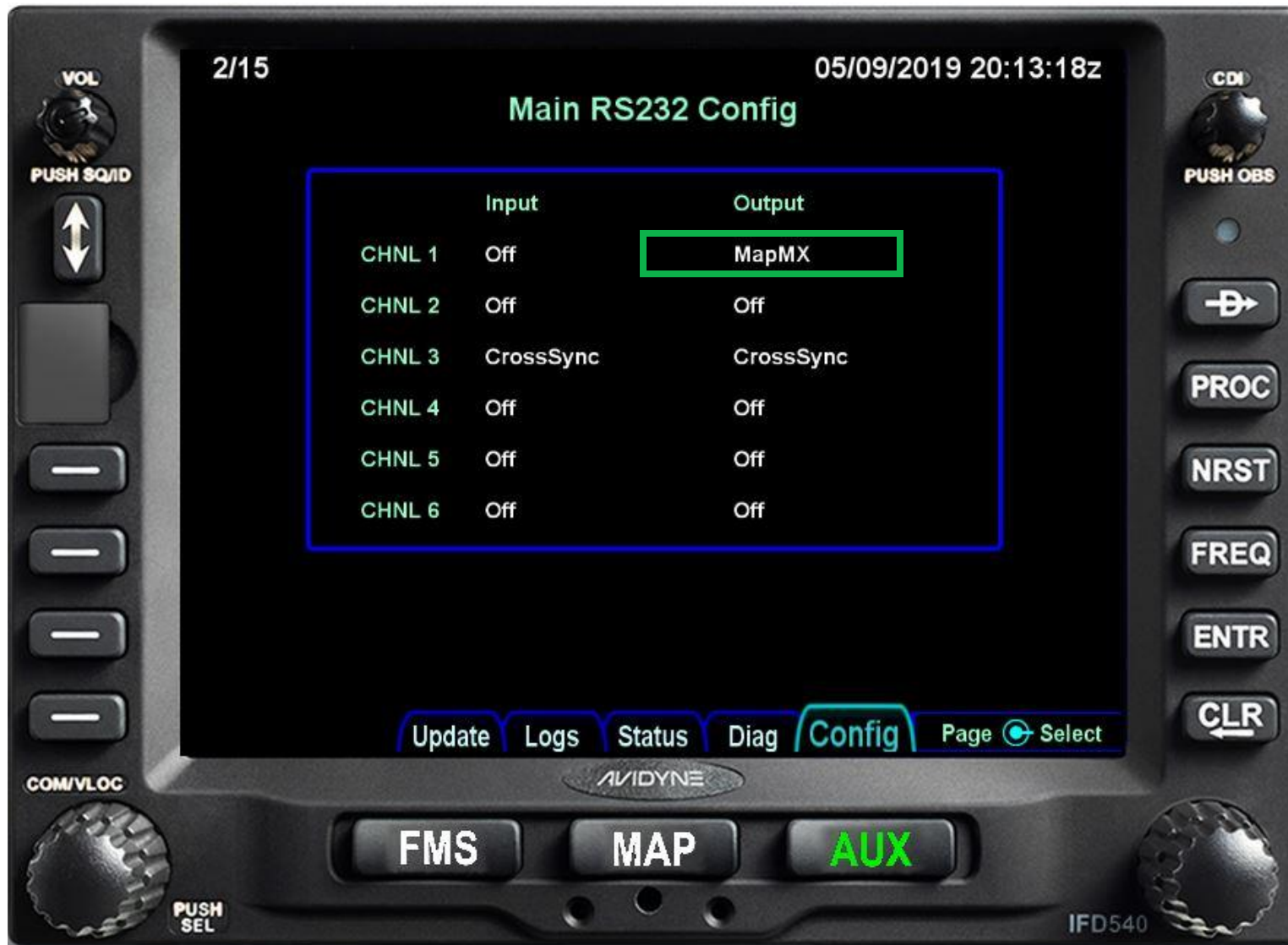
IFD5XX/4XX Interfaced with Garmin G5 EFIS (RS232)



IFD5XX/4XX Interfaced with Garmin G5 EFIS (ARINC429)



IFD5XX/4XX Interfaced with Garmin G5 EFIS



IFD5XX/4XX Interfaced with Garmin G5 EFIS



IFD5XX/4XX Interfaced with Garmin G5 EFIS



Garmin G5 EFIS ICD Notes

NOTES:

1. ALL WIRES TO BE 22 AWG OR GREATER UNLESS OTHERWISE NOTED.
2. IFD NEEDS SOFTWARE 10.2.3.1 OR HIGHER.



GAD29B INSTALLED WHEN INTERFACING TO A THIRD PARTY AUTOPILOT
SEE GAD29B INTERFACE TO THIRD PARTY AUTOPILOT INTERCONNECT
DIAGRAMS FOR FURTHER INFORMATION.

IFD Config Page	Config Option	Configuration Setting
MAIN ARINC 429 CONFIG Page	IN	Speed = Low Garmin GAD42
	OUT	Speed = Low Data = GAMA 429
	VNAV	ENABLED
MAIN RS-232 CONFIG Page		Input = OFF Output = MapMX (WAAS GPS) Aviation (Non WAAS GPS)
VOR/LOC/GS ARINC 429 CONFIG Page	SPEED	RX = Low TX = Low
	SDI	VOR/ILS 1

Figure D - 61: Garmin G5 EFIS Interconnect

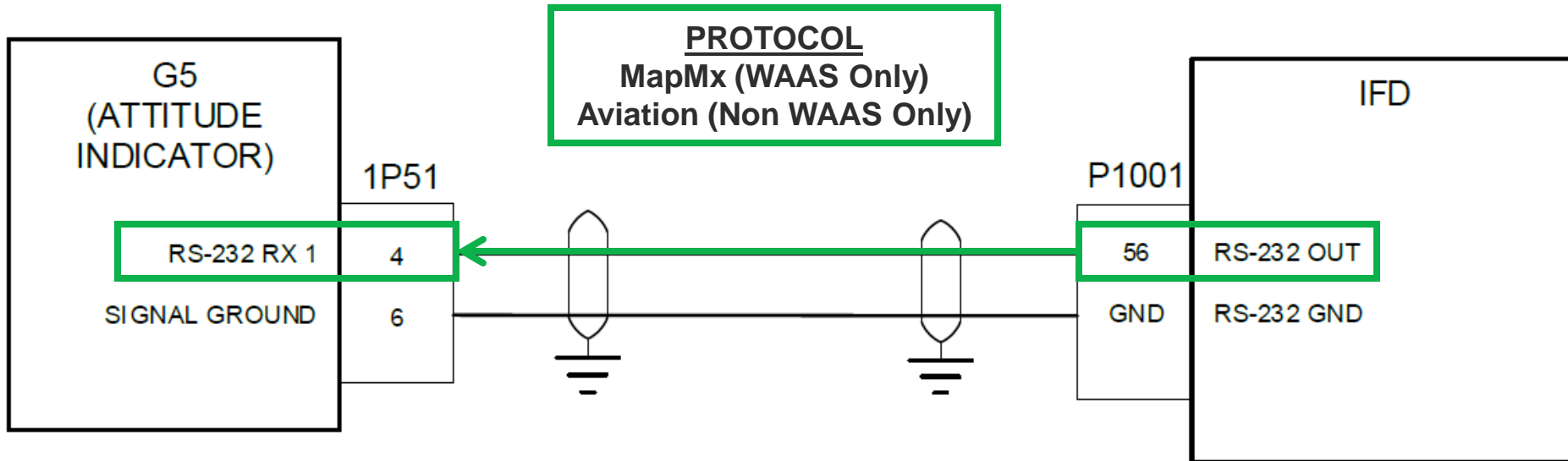


AVIDYNE

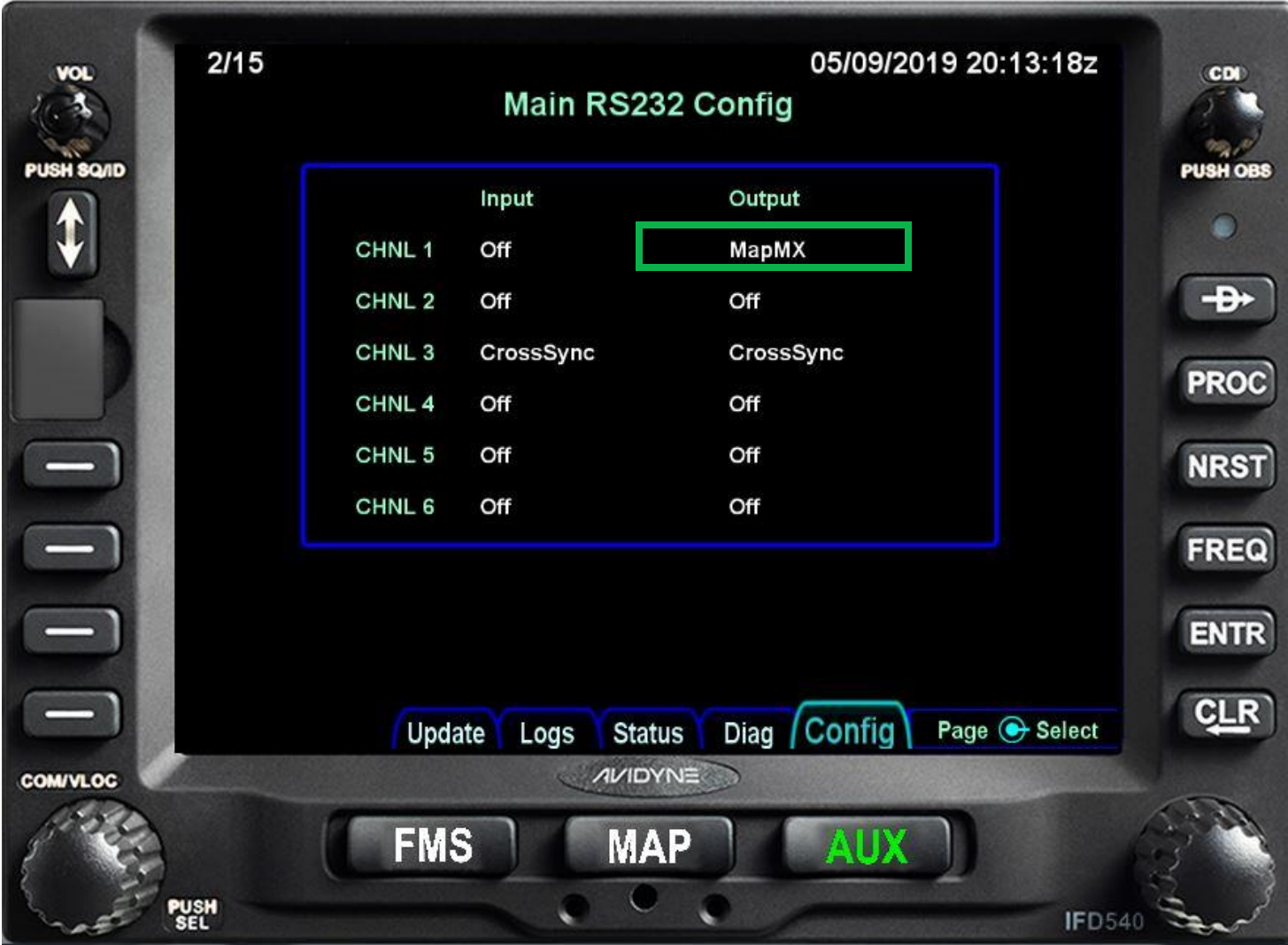
GARMIN G5 EADI

Interface with IFD5XX/4XX

IFD5XX/4XX Interfaced with Garmin G5 EADI



IFD5XX/4XX Interfaced with Garmin G5 EADI



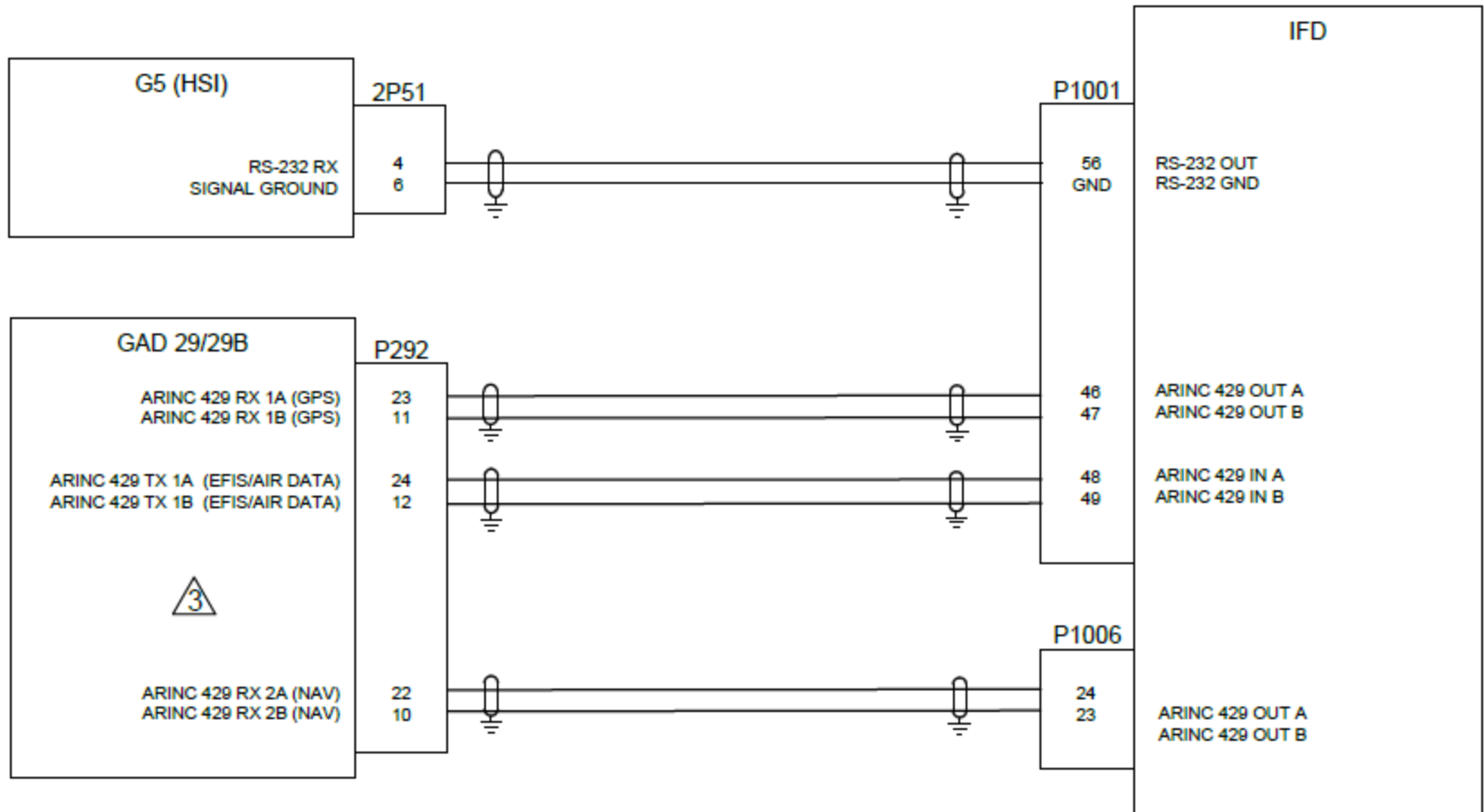


AVIDYNE

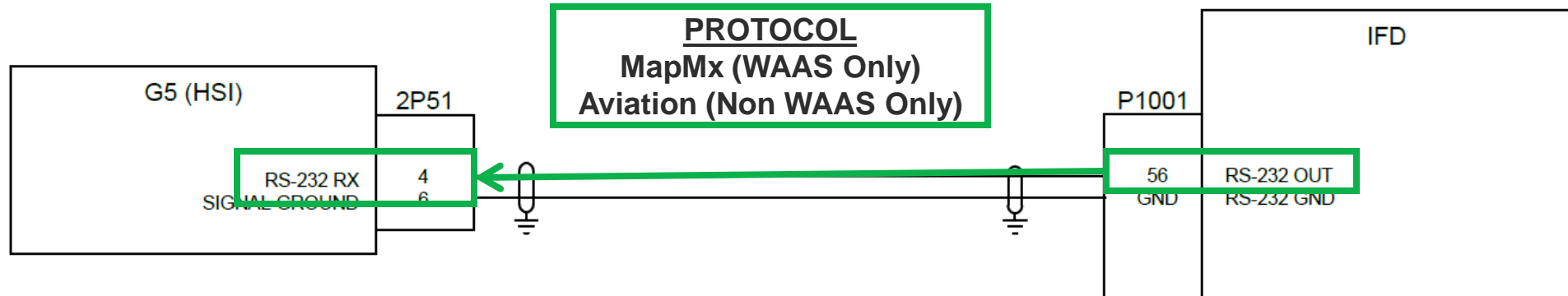
GARMIN G5 EHSI

Interface with IFD5XX/4XX

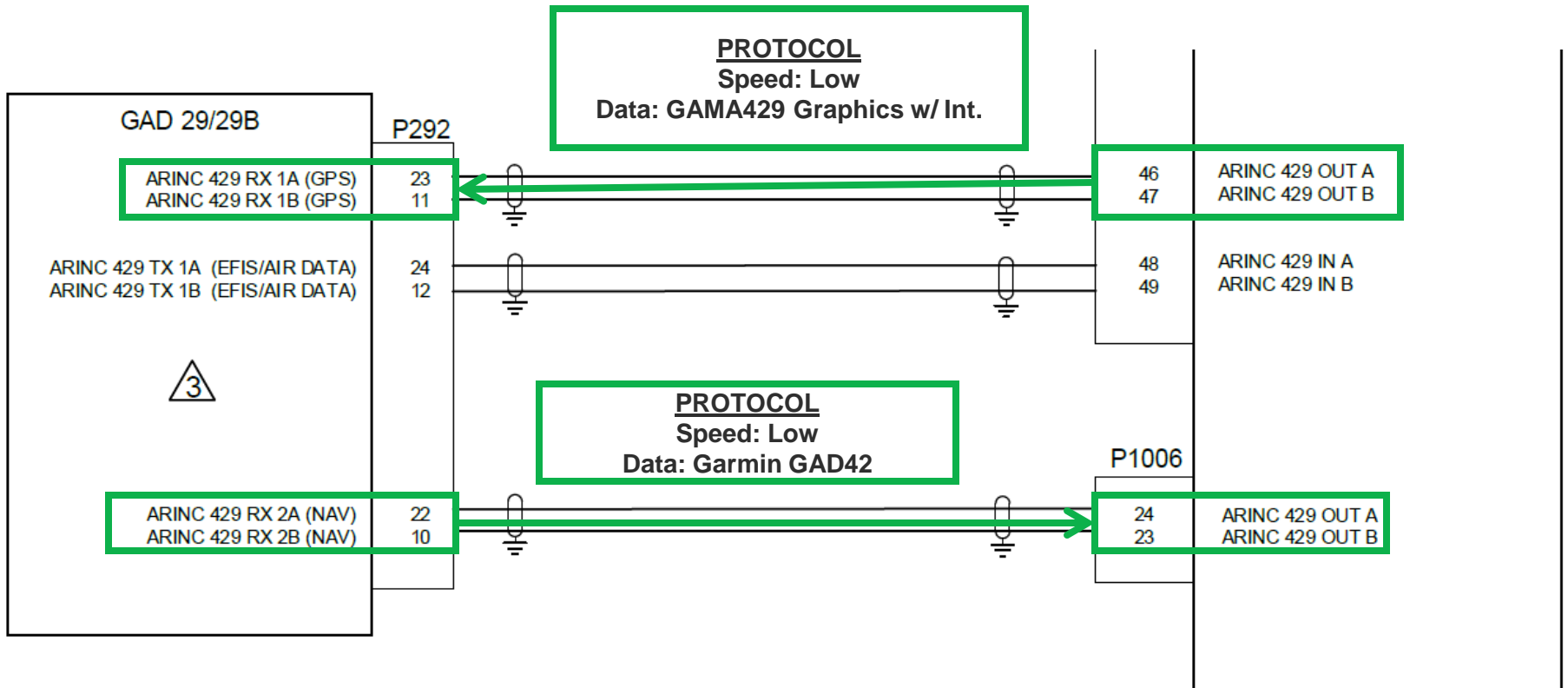
IFD5XX/4XX Interfaced with Garmin G5 EHSI



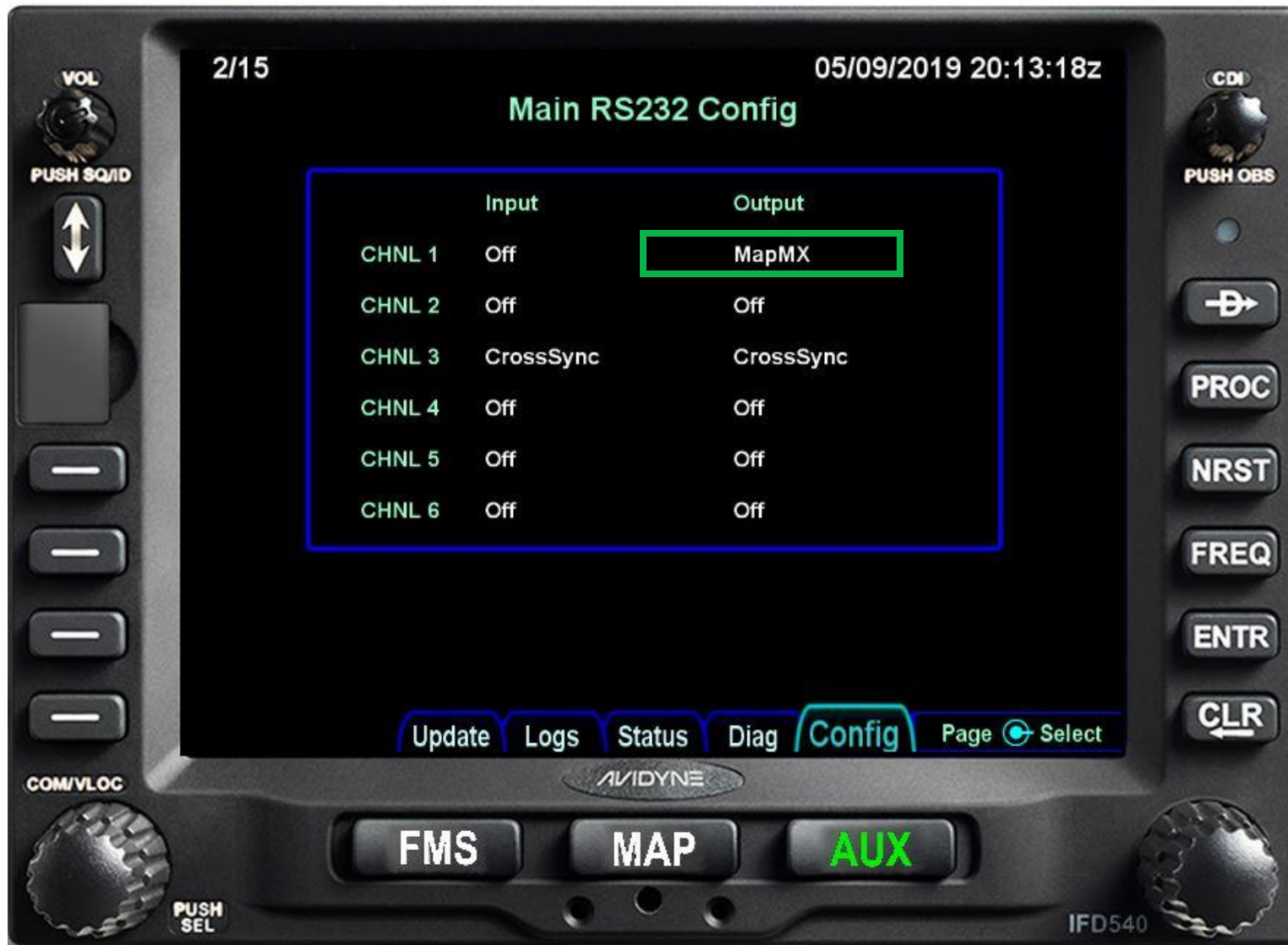
IFD5XX/4XX Interfaced with Garmin G5 EFIS (RS232)



IFD5XX/4XX Interfaced with Garmin G5 EFIS (ARINC429)



IFD5XX/4XX Interfaced with Garmin G5 EFIS



IFD5XX/4XX Interfaced with Garmin G5 EFIS



IFD5XX/4XX Interfaced with Garmin G5 EFIS



Garmin G5 EHSI ICD Notes

NOTES:

1. ALL WIRES TO BE 22 AWG OR GREATER UNLESS OTHERWISE NOTED.
2. IFD NEEDS SOFTWARE 10.2.3.1 OR HIGHER.



GAD29B INSTALLED WHEN INTERFACING TO A THIRD PARTY AUTOPILOT
SEE GAD29B INTERFACE TO THIRD PARTY AUTOPILOT INTERCONNECT
DIAGRAMS FOR FURTHER INFORMATION.

IFD Config Page	Config Option	Configuration Setting
MAIN ARINC 429 CONFIG Page	IN (x)	Speed = Low Data = GAD42
	OUT	Speed = Low Data = GAMA 429
	VNAV	ENABLED
MAIN RS-232 CONFIG Page		Input = OFF Output = MapMX (WAAS GPS) AVIATION (non WAAS GPS)
VOR/LOC/GS ARINC 429 CONFIG Page		RX = Low TX = Low VOR/ILS 1

Figure D - 59: Garmin G5 EHSI Interconnect



AVIDYNE

For pilots who know the difference

Thank You