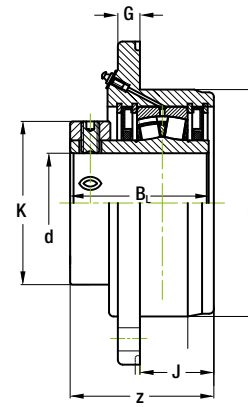
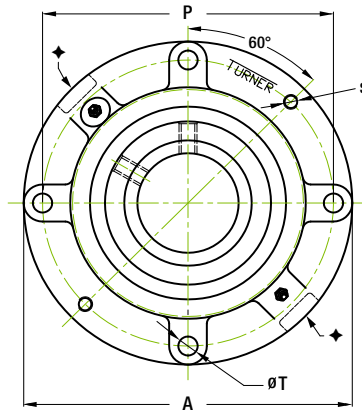


SFC SERIES

Spherical Flange Cartridge
Concentric Setscrew Lock

HOUSED UNITS



Bearing Number	d	Dimensions (in.)								Bolt Hole T (in.)	Removal Hole S (in.)		Dynamic Load Capacity Cr (lbs.) (KN)	Static Load Capacity Cor (lbs.) (KN)
		P	A	Z*	J	B _L	F	K	G		Qty	Size		
SFC 1 15/16 T	1-15/16	5.375	6.375	3.156	1.594	2.875	4.500	2.875	0.563	0.531	2	7/16-14 UNC	20,460 91.0	25,630 114.0
SFC 2 T	2													
SFC 2 3/16 T	2-3/16	6.000	7.125	3.313	1.656	3.125	5.000	3.250	0.563	0.594	2	1/2-13 UNC	23,600 105.0	28,325 126.0
SFC 2 1/4 T	2-1/4													
SFC 2 7/16 T	2-7/16	6.500	7.625	3.500	1.688	3.375	5.500	4.000	0.625	0.594	2	1/2-13 UNC	37,630 167.4	46,960 208.9
SFC 2 1/2 T	2-1/2													
SFC 2 11/16 T	2-11/16	7.500	8.750	3.906	2.031	3.625	6.375	4.500	0.688	0.750	2	5/8-11 UNC	41,590 185.0	53,050 236.0
SFC 2 3/4 T	2-3/4													
SFC 2 15/16 T	2-15/16													
SFC 3 T	3													
SFC 3 7/16 T	3-7/16	8.625	10.250	4.219	1.938	4.031	7.375	5.125	0.875	0.875	2	3/4-10 UNC	63,280 281.5	84,100 374.1
SFC 3 15/16 T	3-15/16	9.375	10.875	4.813	2.406	4.594	8.125	6.000	0.875	0.875	2	3/4-10 UNC	84,410 375.5	112,580 500.8

*Dimensions listed are for non-expansion units, for expansion type, adjust +/- 0.050"

◆ = Removal Slots