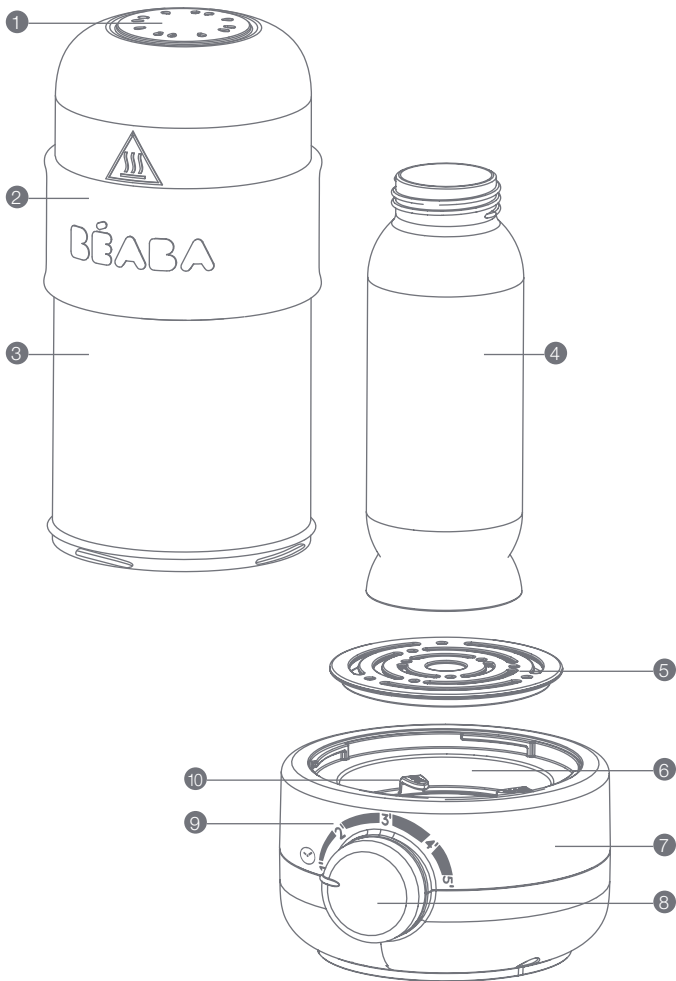


BÉABA®



BABYMILK SECOND



- | | |
|------------------------------|-------------------------------|
| 1 Steam vent | 6 Water tank |
| 2 Insulating ring | 7 Heating unit |
| 3 Steam cover | 8 Knob + indicator light |
| 4 Baby bottle (not included) | 9 Timing indicator in minutes |
| 5 Baby bottle tray | 10 Max. level water |

IMPORTANT SAFEGUARDS

When using this electrical appliance, the basic safety precautions below should be followed:

1. Read all instructions.
2. Before use, check that the voltage power corresponds to the one shown on the appliance nameplate.
3. If the supply cord is damaged, it must be replaced by the manufacturer, its service agent or similarly qualified persons in order to avoid safety hazards.
4. Do not operate any appliance with a damaged cord or plug or after the appliance malfunctions or has been damaged in any manner. Return appliance to the nearest authorized service facility for examination, repair, or adjustment.
5. Always place this appliance on a firm, flat and level surface away from water.
6. Keep the appliance out of children's reach.
7. Do not allow children to pull the power cord or tamper with the appliance, to avoid personal injury or damage to the appliance.
8. Close supervision is necessary when appliance is used by or near children.
9. Before serving, unplug cord from wall outlet and dish. Do not leave cord within child's reach.
10. Do not place the appliance on or near a hot gas or electric burner, or in a heated oven.
11. Do not leave the cord hanging over the edge of tables or

- counters.
12. Do not let the cord touch hot surfaces.
 13. Do not operate the unit at the same time as other appliances with large power consumption.
 14. During use, please be mindful of the steam coming out of the steam vent.
 15. Always use oven gloves when handling hot parts; avoid hot steam rising from the steam vent at all times when in use. After use, remove the housing carefully to avoid being scalded by steam.
 16. The water in the appliance remains hot after other parts of the appliance have cooled down, so please handle carefully.
 17. Do not touch hot parts such as base, heating element, housing lid etc. to avoid being scalded. Use handles or knobs.
 18. Avoid sudden temperature changes, such as adding refrigerated foods into bottle.
 19. Ideally, do not move the appliance while in use. If necessary, exercise extreme caution to avoid being scalded.
 20. Ensure the steam vent is not blocked and do not insert foreign objects into the vent.
 21. The use of non-recommended attachments or those sold by vendors other than the manufacturer may cause fire, electric shock or injury.
 22. To protect against electrical shock do not immerse cord, plugs, or appliance in water or other liquid.
 23. Do not use outdoors.
 24. Do not overheat food. Pour a few drip inside your wrist to check that the food temperature has not been exceeded.
 25. Only use clean water in the water tank to operate the unit.
 26. Unplug from outlet when not in use, before assembly, disassembly and cleaning. Allow to cool before putting on or taking off parts.
 27. To disconnect, turn any control to « off », then remove plug from

- wall outlet.
28. Make sure you test the food is at safe temperature before serving.
 29. This appliance is strictly not for use by children.
 30. Appliance should only be used by persons with reduced physical, sensory or mental capabilities or lack of experience/ knowledge under proper supervision or following instructions concerning use of the appliance in a safe way, assuming understanding of the hazards involved.
 31. Do not allow children to play with the appliance under any circumstances.
 32. Do not use appliance for other than intended use.
 33. This appliance is intended to be used for household and similar applications.
 34. a) A short power-supply cord (or detachable power-supply cord) is provided to reduce the risk resulting from becoming entangled in or tripping over a longer cord.
b) Longer detachable power-supply cords or extension cords are available and may be used if care is exercised in their use.
c) If a longer detachable power-supply cord or extension cord is used:
 - 1) The marked electrical rating of the cord set or extension cord should be at least as great as the electrical rating of the appliance;
 - 2) The cord should be arranged so that it will not drape over the countertop or tabletop where it can be pulled on by children or tripped over unintentionally; and
 - 3) If the appliance is of the grounded type, the cord set or extension cord should be a grounding-type 3 wire cord.
 35. This appliance has a polarized plug (one blade is wider than the other). To reduce the risk of electric shock, this plug is intended to fit into a polarized outlet only one way. If the plug

does not fit fully into the outlet, reverse the plug. If it still does not fit, contact a qualified electrician. Do not attempt to modify the plug in any way.

36.SAVE THESE INSTRUCTIONS.

OPERATION

BEFORE FIRST USE

- Unpack all of the appliance components.
- Clean all parts (see “**CLEANING AND MAINTENANCE**”).

Before using this appliance, it is recommended to firstly clean the appliance and related accessories thoroughly.

IMPORTANT

Read before using.

The device's various heating time settings have been programmed for a standard Beaba plastic feeding bottle. Some feeding bottles may present differences in temperature. Therefore, it is necessary to adjust the device's heating time to the type of bottle used:

Wide-neck bottle	Reduce heating time (according to the type of bottle)
Glass bottle	Greatly reduce heating time (according to the type of bottle)

To change heating time, move the program button (to the left → decrease/ to the right → increase). Also:

- Heating time for a Beaba standard bottle is programmed for an initial temperature of 20°C (68°F) or 5°C (41°F) and any variation in the initial water temperature will have an effect on the final temperature.
- In the event of a subsequent heating cycle within an hour, heating time must be reduced.
- For an optimal temperature, the feeding bottle should be removed when the light switches off. Therefore, the warming function described in the instructions should be used with caution.

It is extremely important to always check the temperature of the feeding bottle contents before giving it to the child.

USING THE APPLIANCE

Warming baby bottle (water or milk) or baby food jar

- Fill the water tank in the base with MAX level water.
- Put the tray into the heating unit.
- Fill baby bottle with desired amount of water or milk.
- Place the baby bottle on tray.
- Put the steam cover on base, then turn clockwise to fix in position.
- Connect unit to power source.

- Choose the setting by turning the knob, referring to the following table (setting 1 is around 1 min, setting 5 is around 5 mins).

BÉABA baby bottle (Plastic)			
Size of baby bottle	Quantity of water	Original temperature	Time to set (min)
120 ml	60 ml	Chilled	3.5
		Ambient	2.5
	90 ml	Chilled	3.5
		Ambient	3
240 ml	120 ml	Chilled	3.5
		Ambient	2.5
	180 ml	Chilled	3.5
		Ambient	2.5
330 ml	240 ml	Chilled	4
		Ambient	3
	300 ml	Chilled	4.5
		Ambient	3

BÉABA baby bottle (Glass)			
Size of baby bottle	Quantity of water	Original temperature	Time to set (min)
110 ml	60 ml	Chilled	2
		Ambient	1.5
	90 ml	Chilled	2
		Ambient	2
250 ml	150 ml	Chilled	2.5
		Ambient	2
	240 ml	Chilled	3
		Ambient	2.5

- Press the button to start the unit.
- At the end of the cycle, there is an audible signal (5 beeps) and flashing indicator light. Press the button again and unit will stop beeping, then unplug the appliance.
- Lift the housing vertically by holding the ring to avoid tipping over the milk bottle.
Note: Before drinking, screw the cap tight and shake the bottle lightly to ensure an even milk temperature.

Sterilizing utensils

- Fill the water tank in the base with MAX level water.
- Put the tray into the heating unit.
- Empty the baby bottle, then stand it upside down on the tray.
- Put the steam cover on the base, then turn clockwise to fix in position.
- Connect unit to power source.
- Turn the knob to setting 5 (around 5 minutes).
- Press the button to start the unit.
- At the end of the cycle, there is an audible signal (5 beeps) and flashing indicator light. Press the button again and the unit will stop beeping, then unplug the appliance.

CLEANING AND MAINTENANCE

- Before cleaning, unplug the appliance and allow it to cool down completely.
- Never immerse the housing in water to clean.
- Wipe the outside surface with a wet cloth.
- Do not use corrosive detergent, detergent with chemical powders or hard metal wire mesh to clean, as this will damage the appliance surface, affect the service life and cause safety problems.
- Do not use sharp items or metal tools to touch components in the middle of the heating plate, as this may cause electric shock.
- When not in use, clean and dry the appliance, and then put it into the packing box and store in a dry place with good ventilation.
- Steam cover and baby bottle tray are dishwasher safe and can be sterilized.
- We recommend you use fresh water to warm milk or sterilize utensils for every use.
- Every 50 cycles, fill the tank with water and white vinegar or the Béaba cleaning product for Babycook (15ml white vinegar +15ml water).
- Leave to soak until deposits have completely disintegrated (one night).
- Rinse with clear water several times.

BÉABA

**121, voie Romaine - CS 97002 - Groissiat
01117 Oyonnax cedex - FRANCE**

MADE IN CHINA

▶ N°Azur 0 810 88 62 32

PRIX APPEL LOCAL

sav@beaba.com

www.beaba.com



Pour activer votre garantie,
télécharger l'application
Béaba & Moi sur App Store ou
Google play.



To activate your guarantee,
download the Béaba & Me
application on App Store or
Google play.