

C. Safety Instructions:



WARNING!

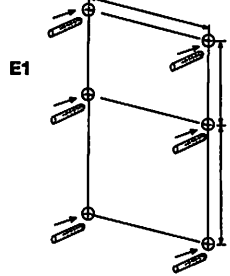
We recommend a skilled electrician is used to assemble and disassemble the housing of the product to avoid risk of electric shock or electrical damage to the product.

- This product is not a toy and should not be used by children at any time. It contains small parts which can be swallowed and cause serious injury.
- Ensure the charging station is assembled and installed in a way that prevents a person tripping over the power cable or the unit falling from its location.
- Please ensure the packing materials are disposed off completely to prevent injury to children (such as box cuts or swallowing insulation materials).
- Do not install in an area with high temperature, high humidity or areas where the charging station may come into contact with water.
- Do not install near air conditioners, or in areas with excessive dust, smoke or vibration.
- The charging station should be installed on a horizontal, flat surface to ensure it does not fall.
- Do not modify or alter the product in any way. Any unauthorized modification or alteration will immediately void the Warranty.
- Do not use the product, or any parts, if they are damaged.
- All cables and adaptors should be connected and disconnected slowly and carefully.
- Ensure suitable packaging for transport of the product based on its 'Specifications'.

D. Package Contents:

- 1 pc Power Cord
- 1 pc ADVERTISER Digital Screen Charging Station with Media Advertising System
- 1 pc Wall mount bracket
- 1 pc Manual
- 1 pc Installation Supplementary Sheet
- 1 pc Remote Controller
- 1 pc Remote Keyboard
- 1 set of screws/bolts

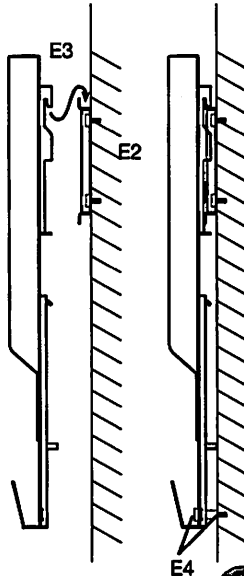
E. Installation:



E1. Fix screw studs on wall according to the installation supplementary sheet.

E2 Secure tight the mount in place with screws.
E3 Hang the Charging Station on the mount.

E4 Secure tight the Charging Station in place with screws. (Add gaskets when necessary.)

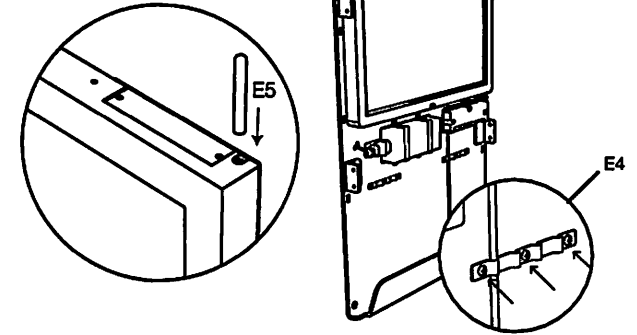


2

E5. Install antenna on the top.

Changing Cables / Cable replacement:

- E7. Unscrew the cover and the cable clammer.
- E8. Change the cable.
- E9. Fix the cable by using the provided cable ties.



F. Care, Maintenance, Storage and Transport:



WARNING!

Please follow these instructions to avoid risk of electric shock and/or short circuit.

- The product is self-service, i.e. users do not require assistance to recharge their device.
- Always disconnect the power cord from the main power outlet first.
- Do not clean the product until the unit is powered off and unplugged from the main power outlet. Once unplugged, clean using a dry or slightly damp cloth. Avoid using cleaning products and do not allow liquid to enter the device.
- Do not install in a location where a person could potentially trip on the power chord or Charging Station.
- During care, maintenance, storage and/or transport, avoid places that are wet, humid or have a high temperature.
- Carefully read and abide by the Safety Instructions for care, maintenance, storage and transport.
- We recommend using the original packaging for transportation to protect the product from dust and humidity.

G. Specifications :

Model	WV-04
Input	100-240V/50-60 Hz
Output	8 x 5V/1A
LCD Resolution	1024 x 768
LCD Size	18.5"

3

H. Warranty and Liability:

- We grants a conditional 1 year warranty for this device from the date of purchase. Consumable parts (charging cable) carry 6 months warranty.
- The Warranty does not cover accidental damage or vandalism caused to the product.
- The Warranty also does not cover the charging cables. We have no control over how users treat the cables once the product is installed on your premises. Replacement cables can be purchased at an additional cost.
- If any fault or damage is detected on your device, please contact us for troubleshooting. If the issue cannot be resolved remotely, we may request the product be shipped to the our office, at the customer's expense, to verify the fault or damage, along with a copy of the original purchase invoice.
- We are not liable for damage to persons or property caused by improper installation or operation not described in this guide. Any alteration and/or modification of the product or its accessories immediately voids the warranty.
- Any use other than described in this user manual is not permitted, and causes loss of warranty, loss of guarantee, and non-liability.

I. Troubleshooting:

The device does not charge	<ul style="list-style-type: none"> - Ensure the power outlet is turned on and working. - Ensure the thick black power chord is plugged into the AC adaptor properly. - Ensure the thin black power chord is plugged into the underside of the charging station properly. - Unscrew the cover and ensure the cable is plugged into the USB outlet properly. - Try another cable in the same USB port to ensure the charging is not damaged.
The charging port is damaged	Try multiple cables in the charging port to ensure that it is damaged. If it is still not working, please contact us.
Other problems	Contact us.

J. Note on Waste Disposal:

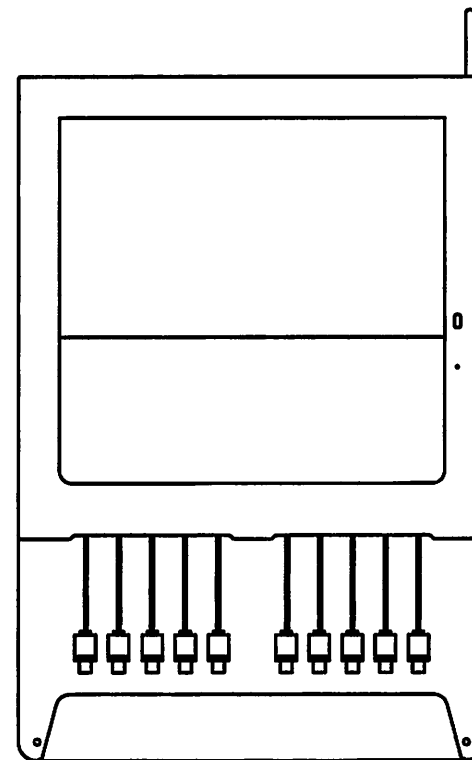


In accordance with European WEEE directives, electrical and electronic equipment must not be disposed with consumer waste. The consumer is committed by law to deposit electrical and electronic devices to public collection points or return to the manufacturer at the end of the device's lifetime. Particulars are regulated in national right. Please consider the environment and dispose of this product correctly.



ATTENTION!

Please read the user manual completely and carefully. It is part of the product and includes important information for proper installation and use. Keep this guide in a safe place for reference and provide to any additional users or new owners of the product.



ADVERTISER

Digital Screen Charging Station with Media Advertising System

A. Description and Function:

The ADVERTISER Digital Screen Charging Station with Media Advertising System is made for charging up to 8 mobile devices simultaneously via adaptor plugs. Features a 18.5 inches Digital Screen for advertising purposes with advertising content management program.

B. Intended Use:



This charging station is for indoor use only in a dry area. Do not position in any location near water. Positioning this product outside, or inside in a location near water may cause damage or injury to persons or property. Please ensure you carefully read and abide by the 'Safety Instructions'.