

# T-Flex™ User Guide



Part # 350-019A-G2

# Telequip® T-Flex™ User Guide

Limited updates were made to this document to include the CPI logo and current contact information. All other content remains unchanged since the document's last revision.

© 2016-2026 Crane Payment Innovations (CPI).  
All rights reserved.  
Part # 350-019A\_G2

## Limitation of Liabilities

Crane Payment Innovations has taken reasonable care in the preparation of this manual, and will not be liable for damages arising out of the use of this product or its documentation.

## Software and Hardware Disclaimers

Proper operation and functionality of the T-Flex™ Coin Dispenser depends upon specific programming of the Point of Sale (POS) device or teller system software. Check with your software provider to ensure that the proper communications programming is in place to interface with the T-Flex™ Coin Dispenser.

Certain add-on hardware devices, such as serial expansion boards, may not pass the correct signals to the T-Flex™, thereby causing unpredictable results.

## FCC Statement

Changes or modifications to this unit not expressly approved by the party responsible for compliance could void the user's authority to operate the equipment.

This equipment has been tested and found to comply with the limits for a light industrial digital device, pursuant to Part 15 of the FCC Rules. These limits are designed to provide reasonable protection against harmful interference when the equipment is operated in a commercial environment. This equipment generates, uses, and can radiate radio frequency energy and, if not installed and used in accordance with the User Guide, may cause harmful interference to radio communications. Operation of this equipment in a residential area is likely to cause harmful interference in which case the user will be required to correct the interference at their own expense.

## Trademarks

Product names used in this guide may be trademarks or registered trademarks of their respective companies.

[support@cranepi.com](mailto:support@cranepi.com) | [know.cranepi.com](http://know.cranepi.com) | [cranepi.com](http://cranepi.com)

# Contents

## 1. Preface

## 2. Safety Warnings and Cautions

Safety Icons.....	1
Heavy Objects.....	2

## 3. Introduction

Audience.....	3
International Capabilities.....	3
Related Documentation.....	4

## 4. Warranty Coverage & Service

Technical Support.....	5
How to Obtain Service.....	6
Packing the Coin Dispenser for Shipping.....	6
Shipping Charges.....	6
Repair Charges.....	6

## 5. Getting to Know the T-Flex™

Getting to Know the T-Flex™.....	7-9
Installation.....	10
Factory Settings.....	10
Before You Begin.....	10
Changing the Dispense Direction.....	11
Installing the Coin Dispenser.....	12-13
Employee Training.....	14

## 6. Coin Dispenser Features

Dispensing Coins.....	15
Even Depletion or Minimum Dispense.....	15
Coin Capacity.....	15
Low Coin Alarm.....	16
In-System Programming.....	16
Lock Assembly.....	16
External Power Supply.....	17
Power Cable.....	17
Communications Cable.....	17

## 7. Operation

Filling the Coin Canister.....	18
Coin Loading Options.....	18
Reading the Calibration Strips.....	18
Additional Canisters.....	19
Cash Management Procedures.....	19-20

## 8. Maintenance

Mounting Options.....	21
Specifications.....	22
How to Clean the T-Flex and Canister.....	23
Coin Loading Tips.....	24-25
Parts List.....	26-27
Canister Coin Capacities.....	28-33

## 1. Preface

Crane Payment Innovations (CPI) is part of Crane Co., a diversified manufacturer of highly engineered industrial products (NYSE:CR). CPI provides a full range of payment solutions for Gaming, Retail, Transportation, Vending and Financial Services applications. CPI is built upon the technological heritage and market experience of NRI®, CashCode®, Telequip®, Money Controls™, MEI and Conlux brands.

## 2. Safety Warnings and Cautions

The T-Flex™ Coin Dispenser is a safe and reliable product. All the necessary precautions have been taken to ensure that normal operations and maintenance procedures are safe.

Crane Payment Innovations will not be held liable for damages and/or personal injuries brought on by incorrect operation and maintenance practices.

Only a qualified service technician should remove the front or rear covers to access internal components. Ignoring this warning may void the product's warranty.

### Safety Icons



***Electrical Shock Hazards - Indicates potentially harmful voltages are present***



***Stop! - Identifies important information requiring special attention.***



***Caution! - Identifies actions requiring caution.***



***Pinch Hazard - Identifies possible pinch hazards.***

# Heavy Objects



**Caution:** *The T-Flex™ Coin Dispenser weighs approximately 11.5 pounds including an unfilled coin canister. When transporting the unit, avoid bumping or dropping it, which could damage the unit. If dropped on a body part, the Coin Dispenser could cause serious personal injury.*



**Caution:** *The canister should be removed from the dispenser and transported separately to avoid damage and/or personal injury.*



**Caution:** *A non-secured unit must be placed on a level surface to assure optimum stability.*



**Caution:** *A canister that is full of coins is quite heavy. Be careful in handling the canister to avoid damage to the unit or to your person. Always store the canister flat on its back or in a vertical position on its base on a smooth, flat surface.*

## 3. Introduction

The T-Flex™ Coin Dispenser is a versatile, heavy-duty product that is engineered to provide years of trouble-free operation. Supermarkets, convenience stores, quick serve restaurants, cafeterias, and banks that use Coin Dispensers have seen improved customer throughput, increased cashier productivity, and greater customer satisfaction.

Using a Coin Dispenser can save up to 5 to 8 seconds on each cash transaction. Saving time translates directly into increased sales, especially during peak business periods. And, with a Coin Dispenser, your employees will have more time to pay attention to your customers rather than counting out change. Using a T-Flex™ Coin Dispenser provides greater accuracy and fewer cash discrepancies.

Using microprocessor-based technology, fault protection circuitry, with few moving parts, the T-Flex™ is a very reliable device. The circuit board is immune to light industrial electrical interference and is tolerant of “dirty power” environments.

The T-Flex™ uses either an RS-232 or USB communication interface, making it easy to integrate into environments using electronic cash registers and Point of Sale (POS) devices, as well as embedded in Self Check-Out systems and Kiosk solutions.

PC-based software allows you to easily configure options, set customized features, and run diagnostic tests that were previously available only through hardware upgrades or manually setting switches on the circuit board.

## Audience

The Telequip® T-Flex™ User Guide is intended for managers and supervisors of businesses that use the Telequip® T-Flex™ Coin Dispenser. It describes features of the unit, discusses how to perform standard operations, and how to troubleshoot to solve common problems.

## International Capabilities

The T-Flex™ can be used in various countries by selecting the appropriate power cord and canister. Canisters are currently available for a multitude of currencies. Please reference the canister list at the back of this User Guide or call Sales for more information.

The T-Flex™ Coin Dispenser has received the CE marking, is RoHS Compliant and is approved for distribution in the European market. Design features include:

- External switch mode power supply allows the dispenser to operate from either 120Volts or 240Volts AC, 50 or 60 Hz
- Detachable power cord that can be ordered with different connectors to match the local power source.

## Related Documentation

The T-Flex™ Quick Start Guide (Part # 350-057) is available to simplify installation.

The T-Flex™ Service Guide is also available for service technicians who work with the T-Flex™ Coin Dispenser. It describes how to run diagnostic tests, change the default settings for pre-programmed functions, perform advanced troubleshooting procedures, and replace various components and sub-assemblies.



## 4. Warranty Coverage and Service

Crane Payment Innovations warrants that the T-Flex™ Coin Dispenser, if properly handled, installed and used, will be free from defects in material and workmanship for one (1) year following the date of shipment by Crane Payment Innovations. An extended warranty is available for the T-Flex™. This warranty is available for two additional years. For specific information on this extended warranty, please contact your sales representative or your Point of Sale service provider.

If the T-Flex™ Coin Dispenser fails to conform to the above express warranty, Crane Payment Innovations' sole and exclusive liability will be to repair the Coin Dispenser that fails during the applicable warranty period, provided that:

- You promptly notify Crane Payment Innovations (603-685-6999 or toll free at 800-225-0580) that the T-Flex™ Coin Dispenser is defective and provide a description of the deficiency.
- You return the T-Flex™ Coin Dispenser to Crane Payment Innovations' facility at your risk and expense.
- Crane Payment Innovations is satisfied that the claimed deficiency exists and was not caused by accident, misuse, neglect, alteration, improper installation, improper testing or repair. If the returned T-Flex™ Coin Dispenser is defective, transportation charges for the return of the repaired unit to the customer will be assumed by Crane Payment Innovations.

### Technical Support

To obtain technical support, you may contact Crane Payment Innovations by telephone or e-mail. Our business hours are Monday through Friday, 8:30am to 5:00pm Eastern Time.

Please call 603-685-6999 and choose Menu Option #5 or call 1-800-225-0580. Additional information can be found on our website at [www.cranepi.com](http://www.cranepi.com).

If you prefer, you may e-mail your questions to us at [tflexsupport@cranepi.com](mailto:tflexsupport@cranepi.com). Our technical support team will get the information you need as quickly as possible.

## How to Obtain Service

Your T-Flex™ Coin Dispenser is a rugged and reliable piece of equipment that was designed to provide years of trouble-free operation. In the event your T-Flex™ requires service, please contact Crane Payment Innovations to receive a Service Referral Number. Please call us during our normal business hours (Monday through Friday, 8:30 a.m. - 5:00 p.m., Eastern Time) at 603-685-6999 or toll free at 800-225-0580.

When you call, please have the following information ready:

- The Coin Dispenser's serial number, which is printed on a silver label located on the bottom of the unit and on the face of the canister loading slot.
- The type of Point of Sale (POS) device or system used with the unit.
- A clear description of the problem.

## Packing the Coin Dispenser for Shipping

Before packing the Coin Dispenser, remove the coin cup and the canister. Pack the Coin Dispenser, canister, and communications cable in a sturdy container, with sufficient packing material to prevent them from being damaged.

## Shipping Charges

You are responsible for the shipping charges and risk for returning the Coin Dispenser. Crane Payment Innovations suggests that you use a shipping service that provides tracking information, and that you insure the equipment for its full value.

## Repair Charges

If Crane Payment Innovations is satisfied that the claimed deficiency exists, and your T-Flex™ Coin Dispenser is within the specified warranty period, Crane Payment Innovations sole and exclusive liability is to repair it. Units repaired under warranty are returned to the customer at our expense. Abuse, neglect, alteration, improper installation, or improper testing and repair of the unit will void the warranty. For Coin Dispensers that are out of warranty, repairs are completed at a flat charge for labor, plus the cost of parts and shipping.

The following drawings identify the major parts of the T-Flex™ Coin Dispenser:

**Coin cup** - Holds dispensed coins. Left and right coin cups are available. Refer to “Installing the Coin Dispenser” for instructions on installing the coin cup.

**Left or Right coin delivery** - Coins can be dispensed either from the left side or the right side of the unit. For reference, the right side of the Coin Dispenser is the side on which the lock assembly is mounted.

**Rear cover** - Encloses the rear of the chassis, and typically faces the cashier.

**Front cover** - The cover on which the Telequip® logo appears, and usually faces the customer. The front cover provides access to various mechanical and electrical assemblies. Only an authorized service technician should remove the cover.

**Coin canister** - Contains the coin inventory. Coin canisters are available in models that support several types of coins. All coin canisters include a removable cover.

**Communication ports** – USB and RS-232 serial interface which connects to the Point of Sale device.

**Status lights:**

**Green (constant)** - power LED. Reports when the device is on and ready.

**Red (constant)** - warning LED. Reports a machine error.

**Red (blinking)** - warning LED. There are one or more low coin columns.

**Yellow (blinking)** - communication LED. Flashes briefly when valid communications are passed to or from the host.

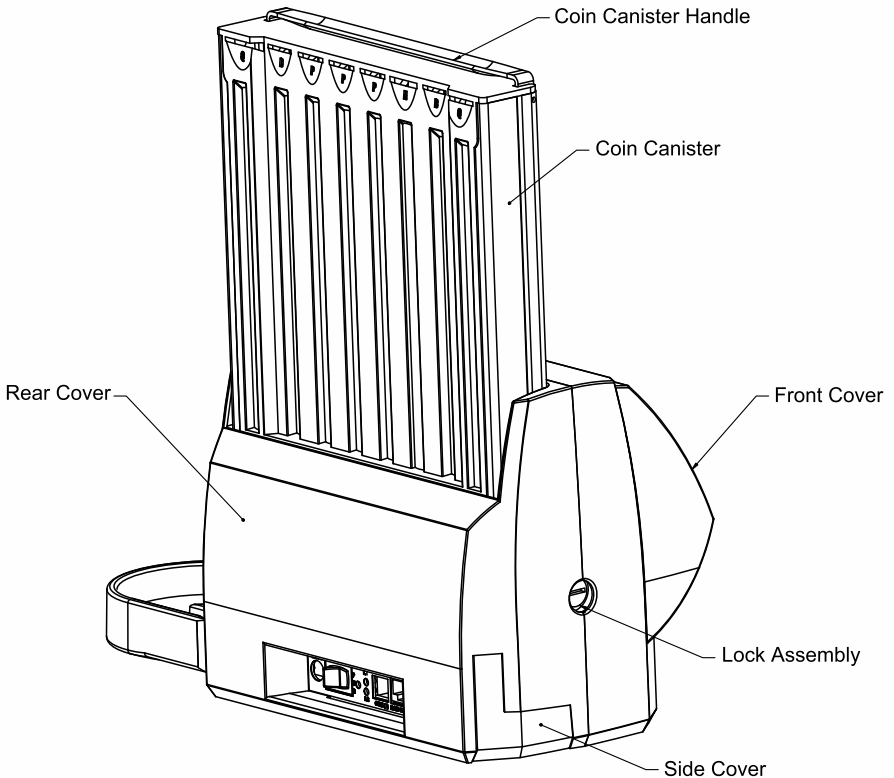
**DC power jack** - Receptacle into which the power cable is inserted.

**Power switch** - Powers the Coin Dispenser on and off.

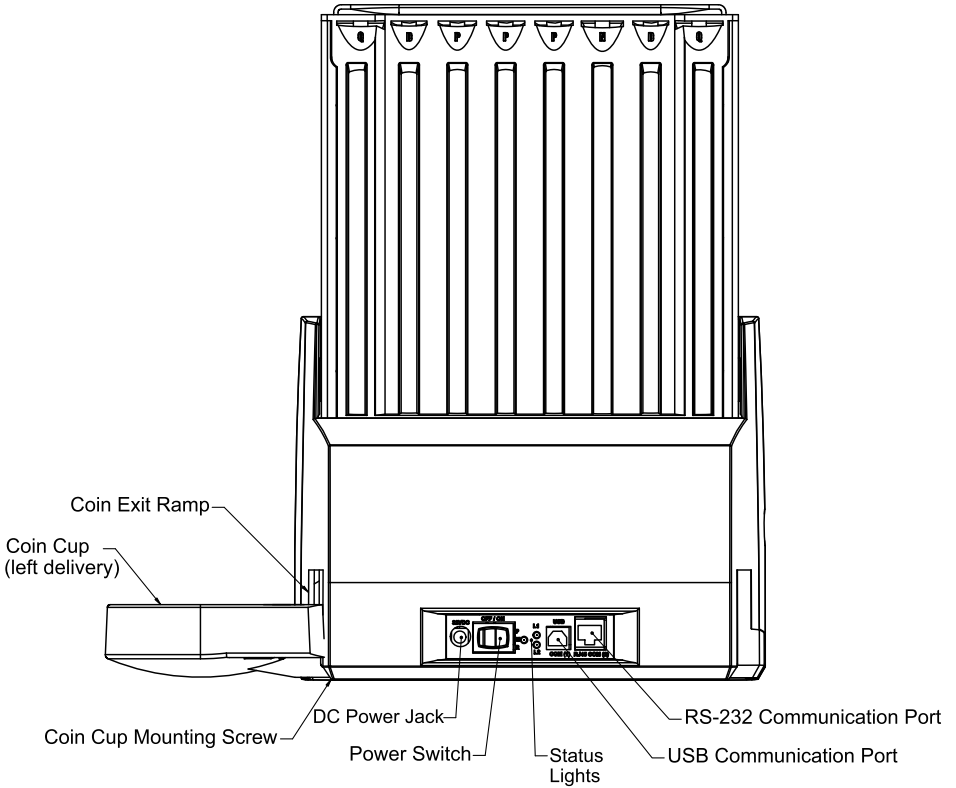
**Side cover** - Covers the unused opening and directs the coin exit ramp. The side cover is installed opposite of the coin cup.

**Lock assembly/key** - Secures the coin canister to the chassis, preventing it from being removed. The key is universal to other T-Flex™ Coin Dispenser locks. The lock is for security only and is not required for operation.

Figure 1



# Figure II



## Installation

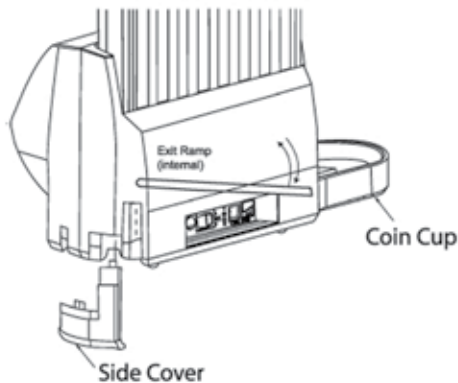
### Factory Settings

The T-Flex™ is configured at the time of manufacture for your Point of Sale environment and currency canister setting. The procedures to change these options are described in the T-Flex™ Service Guide. Contact your service provider for assistance.

### Before You Begin

Before you install the T-Flex™, examine the area where it will be located, keeping the following points in mind:

- Typically, the Coin Dispenser should be installed so that the front cover (with logo) is facing the customer and the rear is facing the cashier.



(Note: As a point of reference, the right side of the Coin Dispenser is the side on which the lock assembly appears.)

## Changing the Dispenser Direction

To change the side from which the Coin Dispenser ejects coins, perform the following steps:

1. Unplug the power cable.
2. Disconnect the communications cable.
3. Remove the original coin cup and the original Side Cover.
4. In the opening where the original cup was attached, locate the end of the coin ramp, and lift it up so that the ramp is towards the opposite direction. Slide the new Side Cover into the opening, ensuring that it locks the end of the coin ramp into the correct position.
5. Secure the Side Cover with the Phillips head screw.
6. On the opposite side of the Coin Dispenser, install the new cup. Ensure that the cup is properly aligned with the dispenser, and then secure the cup to the bottom of the chassis using the Phillips head screw.

# Installing the Coin Dispenser

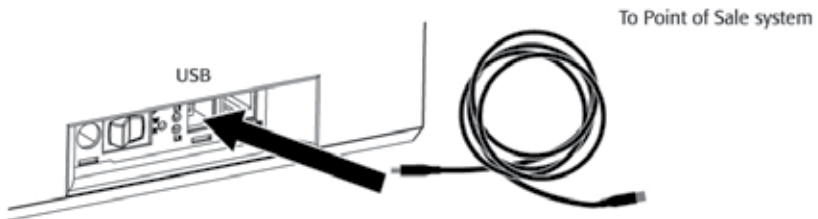
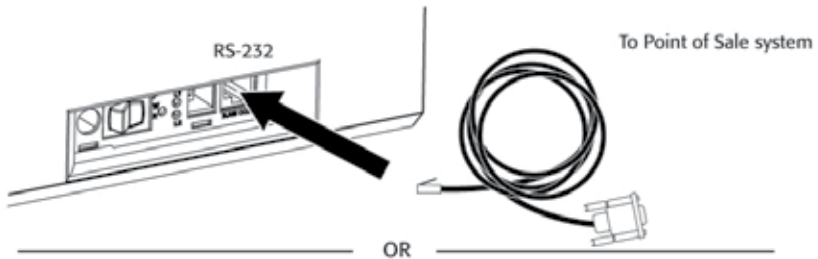
To install the T-Flex™ Coin Dispenser, perform the following steps:

- The surface should be level, stable, and free of liquids and moisture.

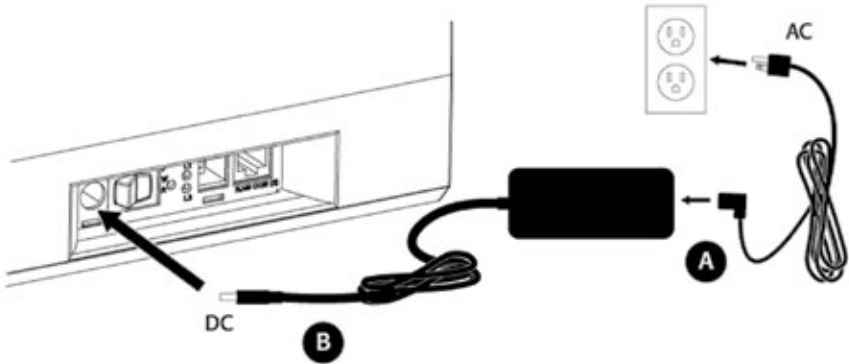


- The Coin Dispenser should not be installed where there are vapors or condensation, or where it might be accidentally splashed or sprayed with liquids. Liquids can create a shock hazard and will cause damage to the internal components of the unit, voiding the warranty.

1. Set the Coin Dispenser on a flat, stable surface.
2. Assemble the coin cup by placing it into the hole on the side of the dispenser and align it to the exit ramp. Attach the tab to the underside of the chassis with the Phillips head screw provided.
3. Plug the connector on the communications cable, labeled “Coin Disp”, into the appropriate USB or RS-232 communications port.



4. Attach the other end of the communications cable to the POS system.
5. Plug the DC power plug from the external power brick into the T-Flex™ panel. Plug the AC line cord into the external power supply.



6. Insert a filled coin canister into the Coin Dispenser, seating it firmly into place. The coin canister must be filled to at least one third capacity in order to test it during the installation.

**Note: If the level of any coin column drops below the bottom of the calibration strips, the low-coin alarm will sound.**

7. Plug the line cord into a suitable power outlet.
8. Press the power switch to the “On” position.
9. To complete the installation, you must enable the T-Flex™ Coin Dispenser on your register or Point of Sale system. If necessary, contact your IT department or your service provider.

## Employee Training Tips

To integrate the T-Flex™ Coin Dispenser smoothly into your operation, consider an employee training class. This will help employees become familiar with the Coin Dispenser and give them the opportunity to ask questions. Topics you should cover are:

- Point out the Coin Dispenser's features (refer to "Getting to Know the T-Flex™" section in this guide).
- Emphasize that the covers to the unit should never be removed.
- Advise caution in removing and handling the coin canister, which can be quite heavy.
- Ensure that the Coin Dispenser is placed on a level, sturdy surface that is free of liquid and/or moisture.
- Demonstrate the different methods to fill the coin canister. A video on filling the canister is available online or upon request.
- Describe what to do when the low coin alarm sounds (see "Low Coin Alarm" description in this guide).
- It is recommended to lock the canister in the Coin Dispenser and store the key(s) in a safe place.

## 6. Coin Dispenser Features

### Dispensing Coins

The T-Flex™ Coin Dispenser dispenses change for a cash transaction, saving time and ensuring accuracy. The unit can be adjusted to eject coins from either the left or right side. Refer to “Changing the Dispense Direction” section in this guide.

### Even Depletion or Minimum Dispense

To maximize the number of transactions that can be completed before refilling the coin canister, the T-Flex™ Coin Dispenser is set to dispense coins using the Even Depletion method. This method occasionally substitutes coins to maximize coin usage. For example, instead of a quarter - two dimes and one nickel are dispensed. This ensures that the entire coin inventory is depleted as evenly as possible. In practice, Even Depletion offers an additional 30 to 70 transactions between canister fills.

The Minimum Dispense method always ejects the minimum number of coins possible per transaction (for example, to return 50 cents, two quarters are dispensed).

### Coin Capacity

The T-Flex™ US Standard coin canister holds more than \$110 in coins, distributed between eight columns. There are two quarter, two dime, one nickel and three penny columns. Each column holds up to three rolls of coins.

The time between fills will vary, depending on your particular environment. You can perform your own calculations by using the following information:

- Assume an average transaction dispenses 50 cents.
- Divide the amount of the coin inventory (in this example, a US Standard coin canister with over \$100 in coins) by 50 cents, which yields over 200 transactions per canister.

- Determine how many transactions per hour are conducted in your operation (for this example, we use 70 transactions).
- Divide the 200 transactions per filled canister by 70 transactions per hour, which yields 2.7 hours per canister.

This example assumes the Even Depletion option.

## Low Coin Alarm Mode

When any column of coins in the canister drops below a certain level, the Low Coin Alarm will sound. After the alarm sounds, three more transactions are allowed (US Canister) before the machine stops dispensing coins. To silence the alarm, turn the power switch off. Refill the Coin Dispenser or remove the depleted canister and replace it with a filled one. Then turn the power back on.

When a column reports a Low Coin condition, the red LED will start to flash and the alarm will sound every 10 seconds. The dispenser will continue to operate until the coin inventory nearly reaches the equivalent of the 'dispense below value. After this has been reached, the alarm will change to a constant tone and dispensing will be disabled.

## In-System Programming

Firmware upgrades can be done directly through the RS-232 or USB port using the upgrade utility.

## Lock Assembly

The T-Flex™ Coin Dispenser includes a lock assembly that secures the coin canister in place. The key is universal and can be used with any T-Flex™ Coin Dispenser. The lock is for security only, and is not required for operation.

## External Power Supply

The T-Flex™ Coin Dispenser is supplied with a UL listed 32V, 70W external switch mode power supply. Only UL listed supplies with similar ratings may be used to power the T-Flex™ Coin Dispenser.

## Power Cable

The cable that connects the Coin Dispenser to the source of electrical power is detachable, and available in several terminations to match local power receptacles. Contact Crane Payment Innovations for additional information.

## Communications Cable

**RS-232** – An RS-232 serial cable is used to connect the T-Flex™ Coin Dispenser to the Point of Sale device. The cable end that plugs into the Coin Dispenser is terminated with an RJ-45 connector.

The other end of the cable is typically fitted with a 9-pin female connector, however, other connectors may be requested when placing an order.

**USB** - A USB Standard A to B cable is used to connect the T-Flex™ Coin Dispenser to the Point of Sale device.

If you find that you do not have any available serial ports on your Point of Sale system, there are USB to Serial converter cables that you can purchase. Please call Sales at 800-225-0580 to discuss this option or to order one. Whether you purchase this cable from us or on your own, please be sure to follow the installation instructions.

## 7. Operation

This section describes filling the coin canister, reading how much currency is in a coin canister, and cash management procedures.

### Filling the Coin Canister



Before you remove the coin canister, press the power switch to the “Off” position. If the Coin Dispenser is switched “On” when the coin canister is removed, one of the solenoids may fire, causing a pinch hazard and/or personal injury.

Filling a coin canister takes approximately five minutes, but may take longer with initial use. Either rolled or loose coins can be used to fill the canister. Knowing the value of the rolled coins that you add makes it easier to count the total value of coins when the canister is filled.

**Note:** See *Coin Loading Tips on Page 24*

### Coin Loading Options

Perform the following steps to load the canister using loose coin:

1. Remove the canister from the base.
2. For further instructions, you may access the T-Flex™ Coin Dispenser page at [www.cranepi.com](http://www.cranepi.com) and view the Coin Loading Video.
3. Set the canister on a flat, stable surface, and fold the carrying handle underneath, providing a good loading angle.
4. Remove the canister cover by compressing the two thumb points at the bottom of the canister and sliding the cover up and off.
5. Take a comfortable number of coins between your thumb and first finger.
6. Place the column of coins over the top of the column, and then let it slide down into the column. Repeat this process until the canister is filled to the desired starting level.
7. Place the cover back on the canister.

### Reading the Calibration Strips

The calibration strips at the back of the coin columns are used as a guideline to determine the approximate value of the coins in each column. Due to variations in coin thickness and how the coin rims align when they are stacked, the values indicated

by the calibration strips may be off by a small amount - three coins at most – at the uppermost level of the columns.

Be sure to allow for a slight cash variance due to coin rim thickness and uneven stacking. If each column in a US Standard canister is off by one or two coins, the total value of coins in the canister, as indicated by the calibration strips, can vary up to \$1.56 US.

The correct way to read the calibration strips is to read the first fully visible number that appears above a column of coins.

## Additional Canisters

Many businesses purchase extra coin canisters to improve efficiency. A filled canister should support approximately 200 cash transactions, depending on your business procedures. A filled canister can be quickly swapped with a depleted canister with minimal impact to the operation.

Several models of coin canisters are available that hold coins used by the United States, Canada, the United Kingdom, and many European countries, including a canister for the Euro coin set. Please refer to the “Parts List” at the back of this guide for details.

## Cash Management Procedures

Customers find that using a Coin Dispenser improves their cash management practices. By filling the coin canister to a fixed level, and keeping it assigned to the safe balance for accounting purposes, you can minimize the counting and handling of coins.

The following procedure describes one method to manage your cash balances:

1. Decide the value of coins that you want to assign to the canister and then fill it with that amount (for example, \$100 US). This value may be higher than what is normally kept in the till.
2. Consider marking the canister extrusion to indicate the level of coins in each column.

3. At the start of the shift, issue the cashier a drawer with a predetermined amount of bills (for example, \$80 US) and then lock a filled coin canister into the dispenser. As sales are rung up, the total value of bills in the drawer increases by the amount of the sales plus the value of coins dispensed. This is because the coins are part of the safe balance instead of the drawer balance.
4. Periodically perform an inventory and remove excess bills from the register as you normally would.
5. When the shift is over, take a sales reading, and remove the cash drawer from the register. Add any coins from the drawer to the coin canister (but not above the marked refill level), and then remove the coin canister from the dispenser.
6. Using the calibration strips, count the value of coins remaining in the canister (for example, \$60 US) and subtract the total from the amount initially loaded into the canister (\$100 US). This yields the value of coins dispensed (\$40 US in this example).
7. Calculate the total sales rung in during the shift. The sales total should equal the combined value of bills received and the coins dispensed.

For example, if sales totaled \$800 US, and \$40 US in coins was dispensed, the cash drawer should contain \$920 US. That is, the starting balance in the drawer, plus the bills taken in from sales, plus the amount of coins dispensed.

Be sure to allow for a slight cash variance due to coin rim thickness and uneven stacking. If each column in a US Standard canister is off by one or two coins, the total value of coins in the canister, as indicated by the calibration strips, can vary up to \$1.56 US.

## 8. Maintenance

The T-Flex™ Coin Dispenser is designed for high performance and requires minimal effort to maintain.

- The canister should be handled with care and never dropped.
- Always store the canister flat on its back or in a vertical position on its base on a smooth flat surface. It is important to keep the Coin Dispenser and the canister clean. Use only a soft, damp cloth to remove surface dirt.



The Coin Dispenser DOES NOT need to be oiled. Using oil, detergents or petroleum-based cleaning compounds can adversely affect the reliability of the Coin Dispenser.

## Mounting Options

### 340-900 Universal Mounting Bracket Kit

Galvaneal (zinc treated steel) 6¾" x 4" bracket that allows the T-Flex™ Coin Dispenser to be secured to a counter top with one center bolt (Figure a.) or four screws around the perimeter (Figure b.)

310-678 (Universal Bracket only)

340-899 (Universal Hardware Set)

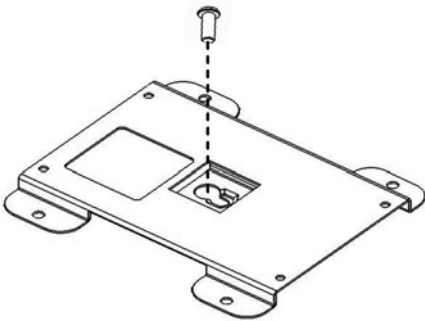


Figure a.

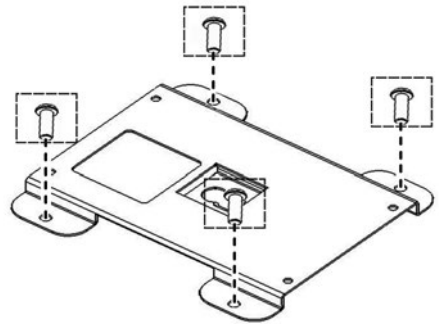


Figure b.

## Specifications

**Note:** *Specifications and design features are subject to change without notice.*

**Size:** 9¾" W x 6½"D x 14½"H - with canister  
9¾" W x 6½"D x 7¾"H - without canister

**Weight:** 6.5 lbs. - without canister  
11.25 lbs. - with canister unloaded

**Power:** 32 Volts DC, 4 Amps max.  
120 to 240 Volts AC, 50 or 60 Hz  
external switch mode power supply

**Power Consumption:** 70W

**Power Cord:**

Detachable power cords with different terminations to match local power receptacles, and in different lengths, are available.

**Communication Cable:**

Cables with various serial cable terminations and in different lengths are available.

**Certifications:** CE, UL, CUL, FCC

## Cleaning the T-Flex™ and Canister



### A Canister

- For the aluminum back of the canister, use a paper towel or a soft damp cloth
- The plastic canister cover can also be wiped down with a soft damp cloth
- Use a general purpose cleaner, such as Formu-la 409 or Fantastik, for the black canister foot (this is where the coin is released from the can-ister)



### B T-Flex™

- Outside cover can be wiped down with a soft damp cloth (using water)
- For more stubborn buildup, try a general purpose cleaner, such as Formula 409 or Fantastik



### C Coin Cup

- Can be wiped down with a soft damp cloth, using water
- For more stubborn buildup, try a general purpose cleaner, such as Formula 409 or Fantastik on a soft damp cloth



### D Canister Shelf

- DO NOT SPRAY ANYTHING IN THIS AREA
- Can be wiped down with a soft damp cloth using water



**Do NOT spray cleaner directly on product**

## T-Flex™ Coin Loading Tips

### Loading Bulk Coin into the T-Flex™ Canister

#### **STEP 1**

Begin by turning the Coin Dispenser off. Remove the canister from the Coin Dispenser base, set canister handle to the incline position and lay on a flat surface.



#### **STEP 2**

To remove the canister cover, press both latch pads on each side of the bottom of the cover, using your thumbs and slide the cover upward.



#### **STEP 3**

- Begin by sorting coin by denomination and stacking in piles.
- Take a stack of coins – let's say quarters – between your thumb and forefinger.
- Insert the stack at an angle into the correct coin column.
- Slide the stack to the bottom and repeat until each column is filled to the desired level.



#### **STEP 4**

Replace cover by sliding into the grooves on the side until it clicks into place.



Please view the T-Flex Coin Loading video on the CPI website at:  
<http://www.cranepi.com/en/products/view/107/T-Flex%E2%84%A2+Coin+Dispenser>

## **Using the Load in Lane Feature**

- a. Some canister designs offer a top filling feature.
- b. The Load in Lane cover is offered for the clerk's convenience and minimizes the need for a replacement canister.
- c. The Load in Lane cover is to be utilized when topping off the canister during slow periods.
- d. It is recommended that 1 to 5 coins at a time are dropped into the appropriate coin column.
- e. Never load coins in bulk using the top fill feature.



## **Reading Calibration Strips**

- The calibration strips are located at the back of each coin column of the canister.
- These strips are provided for your convenience in determining the approximate remaining balance of coin.
- The proper coin level is determined by reading the first fully visible number exposed above the coin stack.



## **Low Coin Alarm**

Based on your configuration, the T-Flex™ may sound an alarm when a column is running low on coin. When the alarm sounds, it is to alert you of low coin volumes. After the alarm sounds, you have approximately three more transactions before the machine will stop dispensing coin. To silence the alarm:

- Turn the power switch to the “Off” position.
- Re-fill the canister or remove it and replace with a filled canister.
- Then turn the power back on.

## **Minimum Dispense Setting**

Based on your configuration, the T-Flex™ factory setting may be set to Minimum Dispense. This means that for every transaction, the T-Flex™ will dispense the minimum amount of coins to complete that transaction.

## **Minimum Dispense Setting**

Based on your configuration, the T-Flex™ factory setting may be set to Even Depletion. This means the T-Flex™ will evenly dispense the coin inventory by occasionally substituting coins to maximize coin usage. For example, if the change due is 50 cents, the customer may receive a 2 quarters or 1 quarter, 2 dimes and 1 nickel. In practice, this will result in up to 70 additional transactions per filled canister.

## Parts List

### Coin Cup and Side Cover

### Part Numbers

Left, grey	310-381LB and 310-364G
Right, grey	310-381RB and 310-365G
Left, charcoal	310-381LB and 310-364C
Right, charcoal	310-381RB and 310-365C

### Standard Coin Canisters

### Part Numbers

### Maximum Capacity

Canada Penniless	341-993	\$506.50
Euro	340-450	398.32 Euro
Euro <2€	341-248	285.32 Euro
UK Standard	340-404	361.20 £
UK <2 £	340-475	246.70 £
US Standard	340-464	\$111.42
US Load-in Lane	340-566	\$111.42

### Expect Extended Lead Times

Argentina	341-167	1914.20
Australia	340-460	\$472.20
Chile	341-061	1075.70 Pesos
Euro >5 €	340-479	410.80 Euro
Hungary	341-211	29150 Forint
Japan Standard	340-520	98117 Yen
Lithuania	340-803	994.20 Litai
Lithuania Tall	340-803	994.20 Litai
Mexico	340-559	2223.00 Pesos
New Zealand NZ2	340-685	\$531.00
Peru	341-260	879.10 Nuevo Soles
Poland	340-554	338.50 Zloty
Poland >.10	341-161	1210.70 Zloty
Russia	340-802	2360.00 Roubles
South Korea	340-555	114510 Won
Sweden	340-701	2624.00 Kronor
Turkey 3L	340-612	444.56 Lira
UK <1 £	340-120	254.20 £
US Golden Dollar	340-406	\$316.48
US Load-in Lane (Smoke)	340-615	\$111.42
US Quarter Only	340-801	\$198.00

Please contact Crane Payment Innovations for information about coin canisters for other countries. Not all canisters are in stock. Special orders will require added lead times and possibly a minimum quantity purchase.

---

**Canister Replacement Covers****Part Numbers**

---

Load In Lane Canister Cover	310-596
Standard Canister Cover (Smoke)	310-660
Universal Canister Cover	310-384
US Coin Canister Cover	310-471
US Tall Canister Cover	310-434

---

**Coin Loading Solutions****Part Numbers**

---

Coin Loading Solution (CLS) for US Canisters	340-517
Coin Loading Solution (CLS) for UK Canisters	340-515
Coin Loading Solution (CLS) for Euro	340-759

---

**Keys**

---

340-314S

---

---

**Cables**

---

Spare cables are available upon request

## Canister Coin Capacities

The following canister listings are divided into 3 categories with different lead times:

- Standard: 2 week lead time
- Existing designs: 9 week lead time
- New designs: 16 week lead time

The following are standard canisters with, in general, a **2 week lead time**.

### CANADA

<b>Canada Penniless Standard; No Penny (341-993)</b>		
Denom	# Columns	# Coins
5 Cents	2	260
10 Cents	2	390
25 Cents	2	290
\$1	1	118
\$2	1	132
<b>Total: \$506.50</b>		<b>dollars</b>

<b>Canada Standard (340-405)</b>		
Denom	# Columns	# Coins
1 Cent	2	304
5 Cents	1	130
10 Cents	1	194
25 Cents	2	290
\$1	1	118
\$2	1	132
<b>Total: \$483.44</b>		<b>dollars</b>

### EURO

<b>Euro Standard (340-450)</b>		
Denom	# Columns	# Coins
1 Cent	1	137
2 Cents	1	135
5 Cents	1	137
10 Cents	1	117
20 Cents	1	106
50 Cents	1	95
€1	1	97
€2	1	104
<b>Total: €396.32</b>		<b>euros</b>

<b>Euro &lt; 2 (341-248)</b>		
Denom	# Columns	# Coins
1 Cent	1	137
2 Cents	1	135
5 Cents	1	137
10 Cents	1	117
20 Cents	1	106
50 Cents	1	96
€1	2	194
<b>Total: €285.32</b>		<b>euros</b>

### UK

<b>UK Standard (340-404)</b>		
Denom	# Columns	# Coins
1 Penny	1	138
2 Pence	1	116
5 Pence	1	134
10 Pence	1	123
20 Pence	1	130
50 Pence	1	127
£1	1	71
£2	1	89
<b>Total: £361.20</b>		<b>pounds</b>

<b>UK &lt;£2 (340-475)</b>		
Denom	# Columns	# Coins
1 Penny	1	138
2 Pence	1	116
5 Pence	1	134
10 Pence	1	123
20 Pence	1	130
50 Pence	2	254
£1	1	71
£2	0	0
<b>Total: £361.20</b>		<b>pounds</b>

## US

<b>US Standard (340-464)</b>		
<b>US Load In Lane (340-566)</b>		
<b>Denom</b>	<b># Columns</b>	<b># Coins</b>
1 Cent	3	462
5 Cents	1	120
10 Cents	2	348
25 Cents	2	264
<b>Total: \$111.42</b>		<b>dollars</b>

The following are canisters with existing designs. In general, a **9 week lead time** can be expected. Stock may be available. If there is no inventory, a minimum order quantity may be required.

## ARGENTINA

<b>Argentina (341-167)</b>		
<b>Denom</b>	<b># Columns</b>	<b># Coins</b>
1 centavo	0	0
5 centavos	0	0
10 centavos	2	372
25 centavos	2	264
50 centavos	1	130
1 peso	3	324
<b>Total: 1914.20</b>		<b>pesos</b>

## AUSTRALIA

<b>Australia (340-460)</b>		
<b>Denom</b>	<b># Columns</b>	<b># Coins</b>
1 Cent	1	172
5 Cents	2	254
10 Cents	2	196
50 Cents	0	0
\$1	1	87
\$2	2	156
<b>Total: \$472.20</b>		<b>dollars</b>

## CHILE

<b>Chile (341-061)</b>		
<b>Denom</b>	<b># Columns</b>	<b># Coins</b>
1 peso	0	0
5 pesos	0	0
10 pesos	3	537
50 pesos	1	122
100 pesos	2	291
200 pesos	1	134
<b>Total: 1075.70</b>		<b>pesos</b>

## HUNGARY

<b>Hungary (341-211)</b>		
<b>Denom</b>	<b># Columns</b>	<b># Coins</b>
1 forint	0	0
2 forint	0	0
5 forint	0	0
10 forint	2	276
20 forint	1	127
50 forint	1	129
100 forint	2	174
200 forint	0	0
<b>Total: 29150</b>		<b>forint</b>

## MEXICO

<b>Mexico (340-559)</b>		
<b>Denom</b>	<b># Columns</b>	<b># Coins</b>
5 Cent	0	0
10 Cent*	1	165
20 Cent*	1	150
50 Cent*	1	133
1 Peso	2	276
2 Pesos	1	127
5 Pesos	1	116
10 Pesos	1	100
<b>Total: 2223.00</b>		<b>pesos</b>
*Does not support 2009		

## POLAND

<b>Poland (340-554)</b>		
<b>Denom</b>	<b># Columns</b>	<b># Coins</b>
1 Grosz	1	178
2 Grosz	0	0
5 Grosz	1	174
10 Grosz	1	143
20 Grosz	0	0
50 Grosz	1	137
1 Zloty	2	274
2 Zloty	1	113
5 Zloty	1	117
<b>Total: 1178.28</b>		<b>zloty</b>

## POLAND

<b>Poland &gt;.10 (341-161)</b>		
<b>Denom</b>	<b># Columns</b>	<b># Coins</b>
1 Grosz	0	0
2 Grosz	0	0
5 Grosz	0	0
10 Grosz	2	286
20 Grosz	1	143
50 Grosz	1	137
1 Zloty	2	274
2 Zloty	1	113
5 Zloty	1	117
<b>Total: 1210.70</b>		<b>zloty</b>

## RUSSIA

<b>Russia (340-802)</b>		
<b>Denom</b>	<b># Columns</b>	<b># Coins</b>
1 kopek	0	0
5 kopek	0	0
10 kopek	0	0
50 kopek	1	160
1 rouble	3	474
2 roubles	2	258
5 roubles	2	258
10 roubles	0	0
<b>Total: 2360.00</b>		<b>roubles</b>

## SWEDEN

<b>Sweden (340-701)</b>		
<b>Denom</b>	<b># Columns</b>	<b># Coins</b>
50 ore	2	226
1 Krona	3	366
2 Kronor	0	0
5 Kronor	1	113
10 Kronor	2	158
<b>Total: 2624.00</b>		<b>kronor</b>

## US Load In Lane (340-615)

<b>(Smoke Cover)</b>		
<b>Denom</b>	<b># Columns</b>	<b># Coins</b>
1 Cent	3	462
5 Cents	1	120
10 Cents	2	348
25 Cents	2	264
<b>Total: \$111.42</b>		<b>dollars</b>

## UK

<b>UK &lt;£1 (340-120)</b>		
<b>Denom</b>	<b># Columns</b>	<b># Coins</b>
1 Penny	1	138
2 Pence	1	116
5 Pence	1	134
10 Pence	1	123
20 Pence	1	130
50 Pence	1	127
£1	2	142
£2	0	0
<b>Total: £254.20</b>		<b>pounds</b>

## EURO

<b>Euro &gt;5 (340-479)</b>		
<b>Denom</b>	<b># Columns</b>	<b># Coins</b>
1 Cent	0	0
2 Cents	0	0
5 Cents	2	274
10 Cents	2	234
20 Cents	1	106
50 Cents	1	95
€1	1	97
€2	1	104
<b>Total: €410.80</b>		<b>euros</b>

## PERU

<b>PERU (341-260)</b>		
<b>Denom</b>	<b># Columns</b>	<b># Coins</b>
10 centimos	3	486
20 centimos	0	0
50 centimos	1	123
1 nuevo sol	1	121
2 nuevo sol	3	324
5 nuevo sol	0	0
<b>Total: 879.10</b>		<b>nuevo soles</b>

The following are canisters which require new tooling, in general, a **14-16 week lead time** with a minimum order of T-Flex™ units required.

## ARGENTINA

<b>Argentina (341-608)</b>		
<b>6 Columns</b>		
<b>Denom</b>	<b># Columns</b>	<b># Coins</b>
1 centavo	0	0
5 centavos	0	0
10 centavos	0	0
25 centavos	1	128
50 centavos	1	128
1 peso	2	208
2 pesos	2	208
<b>Total: 720.00</b>		<b>pesos</b>

## CANADA

<b>Canada Tall (340-508)</b>		
<b>Denom</b>	<b># Columns</b>	<b># Coins</b>
1 Cent	2	350
5 Cents	1	152
10 Cents	1	225
25 Cents	2	336
\$1	1	137
\$2	1	153
<b>Total: \$560.55</b>		<b>dollars</b>

## JAPAN

<b>Japan Tall (340-454)</b>		
<b>Denom</b>	<b># Columns</b>	<b># Coins</b>
¥ 1	2	338
¥ 5	1	167
¥ 10	1	167
¥ 50	1	145
¥ 100	2	298
¥ 500	1	138
<b>Total: ¥108893</b>		<b>yen</b>

## NEW ZEALAND

<b>New Zealand (340-685)</b>		
<b>Denom</b>	<b># Columns</b>	<b># Coins</b>
10 Cents	2	288
25 Cents	1	146
50 Cents	2	266
\$1	2	170
\$2	1	85
<b>Total: \$531.00</b>		<b>dollars</b>

## SOUTH KOREA

<b>South Korea (340-555)</b>		
<b>Denom</b>	<b># Columns</b>	<b># Coins</b>
1 Won	0	0
5 Won	0	0
10 Won	3	456
50 Won	1	145
100 Won	2	432
500 Won	1	119
<b>Total: 114510</b>		<b>won</b>

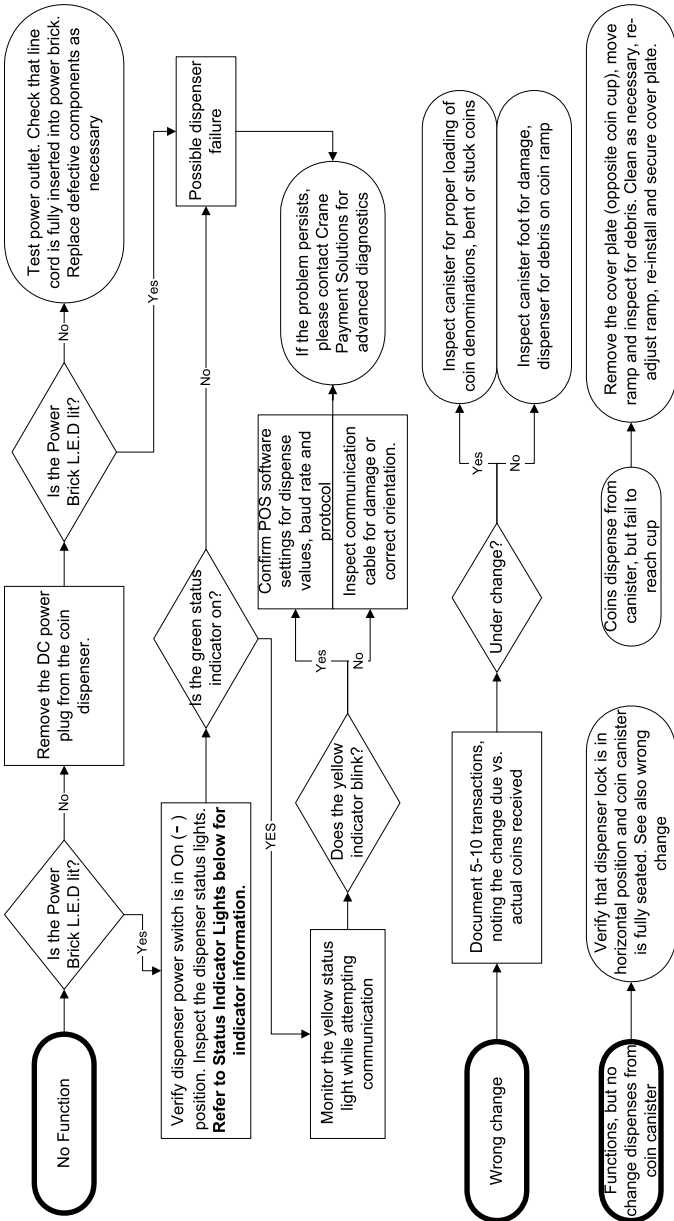
## US

<b>US All Quarter (340-801)</b>		
<b>Denom</b>	<b># Columns</b>	<b># Coins</b>
1 Cent	0	0
5 Cents	0	0
10 Cents	0	0
25 Cents	6	792
<b>Total: \$198.00</b>		<b>dollars</b>

## TURKEY

<b>Turkey 3L (340-612)</b>		
<b>Denom</b>	<b># Columns</b>	<b># Coins</b>
1 Kuruş	1	136
5 Kuruş	1	136
10 Kuruş	1	129
25 Kuruş	1	116
50 Kuruş	1	111
1 Lira	3	339
<b>Total: 444.56</b>		<b>lira</b>

<b>Turkey 3L Tall (340-596)</b>		
<b>Denom</b>	<b># Columns</b>	<b># Coins</b>
1 Kuruş	1	157
5 Kuruş	1	156
10 Kuruş	1	150
25 Kuruş	1	133
50 Kuruş	1	127
1 Lira	3	390
<b>Total: 512.12</b>		<b>lira</b>



### Status Indicator Lights

Green (constant) - power LED. Reports when device is on and ready  
 Yellow (blinking) - communications LED. Flashes when valid RS-232 or USB data flows to or from the host.  
 Red (constant) - warning LED. Reports a machine error  
 Red (blinking) - There are one or more columns low on coin. Add coins to canister.  
**The Coin Dispenser will not function if low coin error exists when dispenser is turned on. Add coins before turning on the dispenser**

### Crane Payment Solutions

North America  
 Telephone: 603-685-6999 Toll free 1-800-225-0580  
 Fax: 603-685-6998

Canada  
 Telephone: 905-303-8874  
 Fax: 905-303-8875  
[www.craneps.com](http://www.craneps.com)





[support@cranepi.com](mailto:support@cranepi.com) | [know.cranepi.com](https://www.know.cranepi.com) | [cranepi.com](https://www.cranepi.com)

Part # 350-019A-G2