



# Service Bulletin

## SP-038 Rev. 1 Supersedes SP-038

DATE: November 4, 2016  
 TO: All Service and Parts Managers  
 SUBJECT: Economizer Installation Wiring for Residential Package Units

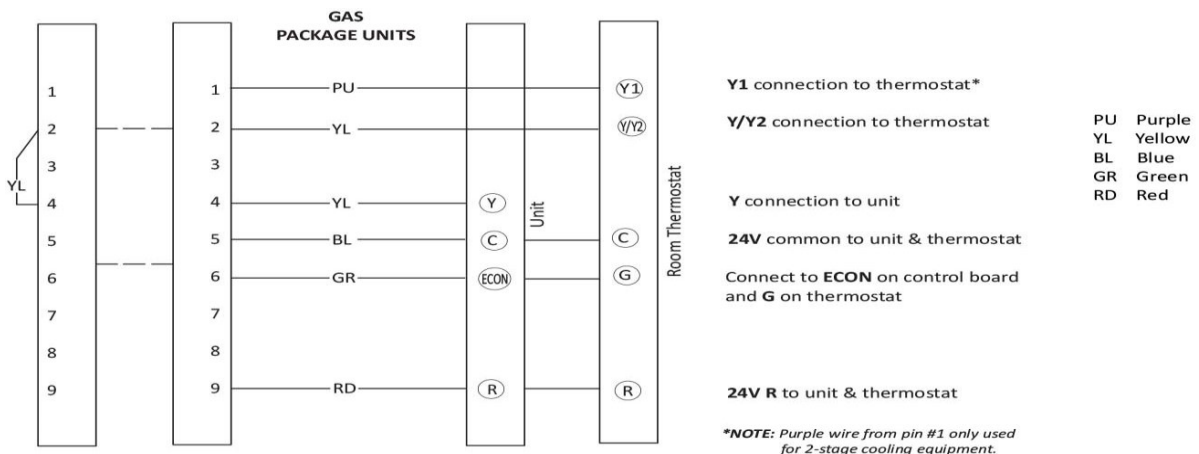
The purpose of this bulletin is to provide instructions for the installation of an economizer on “H” and “M” Series residential package units that do not have a factory installed economizer wiring harness.

The DP14GM24 – 48 and A/GPG1424 – 48 units have single-stage compressors and use a PCBAG123 single-stage control board. **Part # 0259G00214** (economizer wiring harness) would be used to connect from the control board and thermostat to the economizer 9-pin connector (see instructions below). **Part # 0259L00412** would be used for gas/electric package units with a two-stage compressor (14 SEER 5 Ton and 16 SEER units).

To connect an economizer to an “H” or “M” series package cooling unit with a single-stage compressor, use **Part # 0259G00213**. For single-stage package heat pump models, **Part # 0259G00215** would be used to connect from the control board and thermostat to the economizer 9-pin connector (see instructions below). **Part # 0259L00411** would be used for heat pump package units with a two-stage compressor (14 SEER 5 Ton and 16 SEER units).

### Gas Package Units – 1-stage cooling (Wire harness Part # 0259G00214):

1. Connect yellow wire from harness pin #2 to the Y connection (yellow wire) from thermostat.
2. Connect yellow wire from harness pin #4 to the Y/Y2 connection on the unit (yellow wire).
3. Connect blue wire from harness pin #5 to 24V Common (blue common wire) on unit.
4. Connect green wire from harness pin #6 to ECON spade on control board.
5. Connect red wire from harness pin #9 to R terminal (red wire) on transformer.

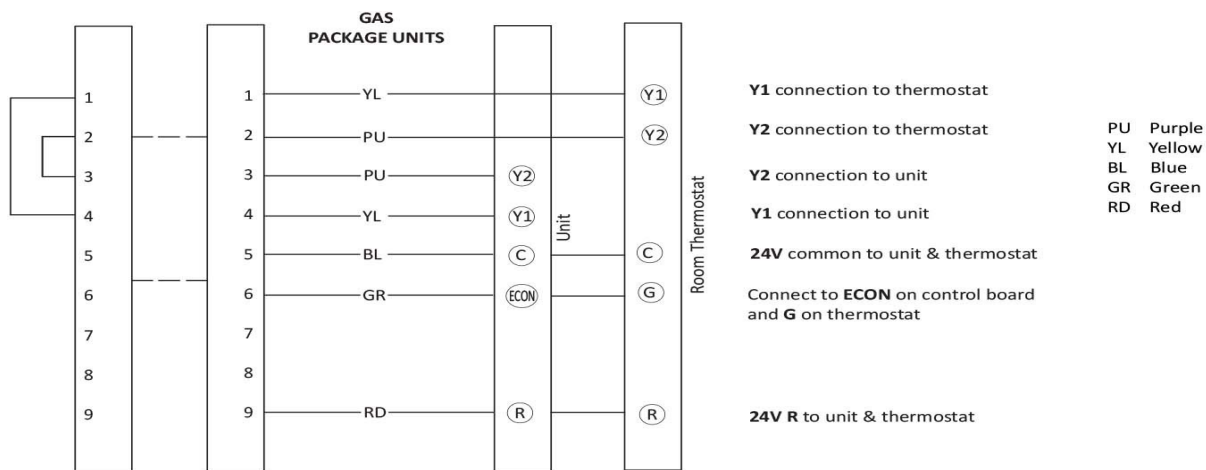


Technical Services Department • 1810 Wilson Parkway • Fayetteville, TN 37334  
 Main: 888.593.9988 • Service Fax: 713.316.5541

Amana® is a registered trademark of Maytag Corporation or its related companies and is used under license to Goodman Company, L.P., Houston, TX. All rights reserved.

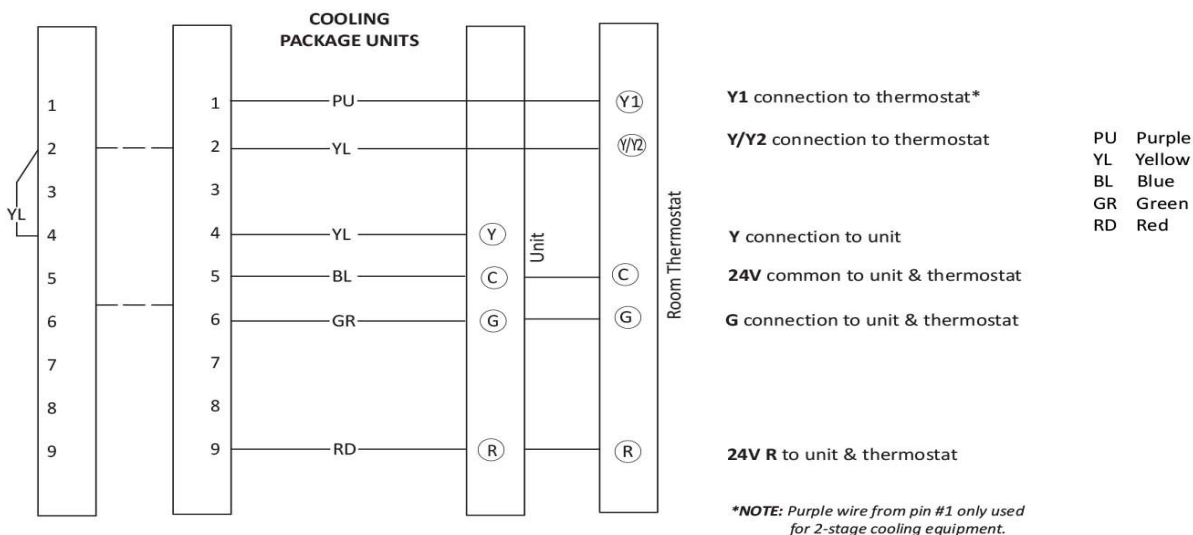
**Gas Package Units – 2-stage cooling (Wire harness Part # 0259L00412):**

1. Connect yellow wire from harness pin #1 to the Y1 connection from thermostat.
2. Connect yellow wire from harness pin #4 to the Y1 unit control board connection.
3. Connect purple wire from harness pin #2 to the Y2 connection from thermostat.
4. Connect purple wire from harness pin #3 to the Y2 unit control board connection.
5. Connect blue wire from harness pin #5 to 24V Common (blue common wire) on unit.
6. Connect green wire from harness pin #6 to ECON spade on control board.
7. Connect red wire from harness pin #9 to R terminal or S2 terminal (if present) on control board.



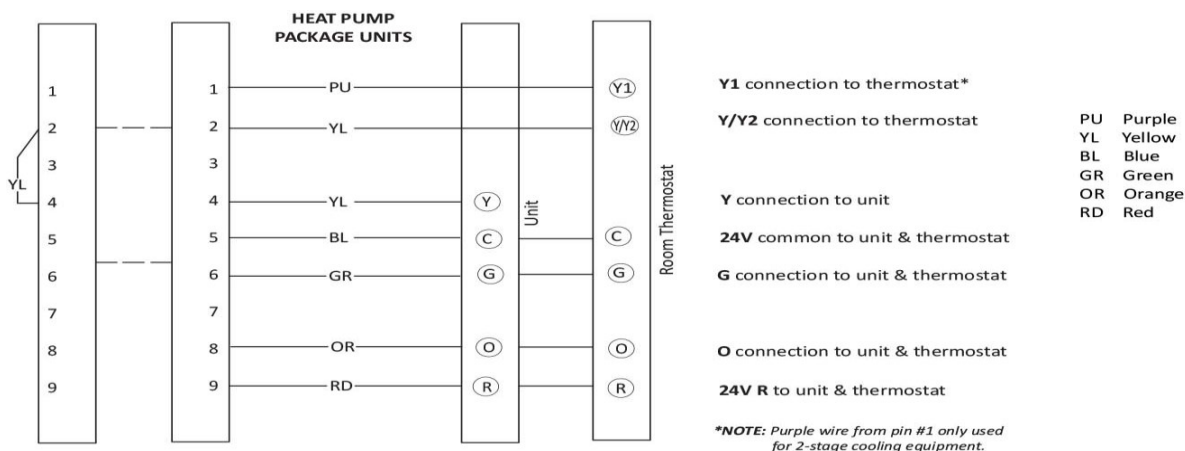
**Cooling Package Units – 1-stage (Wire harness Part # 0259G00213):**

1. Connect yellow wire from harness pin #2 to the Y connection from thermostat.
2. Connect yellow wire from harness pin #4 to Y connection (yellow wire) on unit.
3. Connect blue wire from harness pin #5 to 24V Common connection (blue wires) on LVTB (low voltage terminal block) or C for unit and thermostat.
4. Connect green wire from harness pin #6 to G connection (green wire) for unit and thermostat.
5. Connect red wire from harness pin #9 to R connection (red wire) for unit and thermostat.



**Heat Pump Package Units – 1-stage (Wire harness Part # 0259G00215):**

1. Connect yellow wire from harness pin #2 to the Y connection from thermostat.
2. Connect yellow wire from harness pin #4 to Y connection on unit.
3. Connect blue wire from harness pin #5 to 24V Common connection (blue wires) on LVTB (low voltage terminal block) or C for unit and thermostat.
4. Connect green wire from harness pin #6 to G connection (green wire) for unit and thermostat.
5. Connect orange wire from harness pin #8 to O connection (orange wire) for unit and thermostat.
6. Connect red wire from harness pin #9 to R connection (red wire) for unit and thermostat.



**Heat Pump Package Units – 2-stage (Wire harness Part # 0259L00411):**

1. Connect yellow wire from harness pin #1 to the Y1 connection from thermostat.
2. Connect yellow wire from harness pin #4 to the Y1 connection (purple wire) on unit.
3. Connect purple wire from harness pin #2 to the Y2 connection from thermostat.
4. Connect purple wire from harness pin #3 to the Y2 connection (yellow wire) on unit.
5. Connect blue wire from harness pin #5 to 24V Common connection (blue wire) for unit and thermostat.
6. Connect green wire from harness pin #6 to G connection (green wire) for unit and thermostat.
7. Connect orange wire from harness pin #8 to O connection (orange wire) for unit and thermostat.
8. Connect red wire from harness pin #9 to R connection (red wire) for unit and thermostat.

