



Integration Note

Manufacturer:	JustAddPower Serial Over IP
Model Number(s):	Cisco SG300-10 / 10P / 10MP / 20 / 28 / 28P / 52 Cisco SG500-28 / 28P / 52 / 52P Cisco SG500X-24 / 24P / 48 / 48P JustAddPower 2G, 2G+
Minimum Core Module Version:	6.4.200
Document Revision Date:	08/5/2013

OVERVIEW AND SUPPORTED FEATURES

This driver allows a g! system to control a third party device using the RS232 port on a JustAddPower video receiver, which is part of a JustAddPower HDMI over IP video system using a Cisco managed switch.

JUSTADDPower SERIAL OVER IP SUPPORTS THE FOLLOWING FEATURES:

RS232 Control: The JustAddPower Serial over IP communication device can be used to control a compatible third party device via the Serial port on a JustAddPower video receiver.

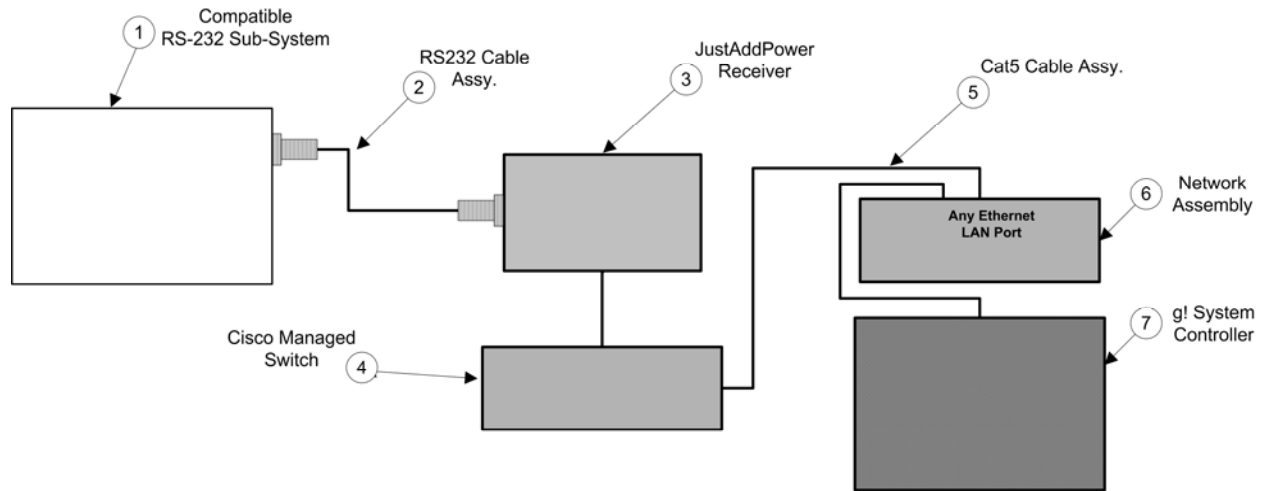
THE FOLLOWING FEATURES ARE NOT SUPPORTED:

Standalone Operation: The JustAddPower receiver will not operate as a standalone device, it must be connection via a JustAddPower HDMI over IP system.

Any feature not specifically noted as supported should be assumed to be unsupported.
--

CONNECTION DIAGRAM: RS232 CONTROL

Refer to the **Bill of Materials** and **Wiring Diagram** that follow.



BILL OF MATERIALS

#	Device	Manufacturer	Part Number	Protocol	Connector Type	Notes
1	Compatible RS232 Device	N/A	N/A	Ethernet	RJ-45 Female	
2	RS232 Cable Assy.	N/A	N/A	RS232	DB9	This cable may vary depending on the RS232 device being controlled
3	Video receiver	JustAddPower	Various (e.g.2G+)	Ethernet / RS232	RJ-45 Female / DB9 Male	Some models use a jack plug for RS232
4	Managed Switch	Cisco	Various (e.g. SG-500)	Ethernet	RJ-45 Female	
5	Cat5 Cable Assy.	N/A	N/A	Ethernet	RJ-45 Male X RJ-45 Male	
6	Network Assembly	ELAN	NWA 18	Ethernet	RJ-45 Female	Any LAN port.
7	g! Controller	ELAN	Various (e.g. HC 12)	Ethernet	RJ-45 Female	

CONFIGURATION

The JustAddPower system should be configured using the JustAddDrivers configuration tool (for which extensive documentation exists). This guide assumes the system is configured, tested and working in advance of any **g!** configuration. See the *JustAddPower integration note for more information about configuring the JustAddPower system to work with g!*

In Configurator, choose to add a new communication device, selecting **(IP to Serial) JAP Serial over IP** as the device Type and **Standard Connection** as the Communication Type. Enter the IP address of the JustAddPower receiver being used for RS232 control and the port number **6752**. Note: the IP address of the receiver can be found in the report generated by the JustAddDrivers tool upon completion.

You can now select the JustAddPower Serial over IP device as the Communication Device for any compatible RS232 device driver.

g! CONFIGURATION DETAILS

The following table provides settings used in the **g!** Configurator. Please refer to the Configurator Reference Guide for more details.

- “<Select from list>” in the Configurator. Select the appropriate item from the list (or drop-down)
- “<User Defined>”, etc. Type in the desired name for the item.
- “<Auto Detect>”, etc. The system will auto detect this variable.

Refer to the **g! System Programming Details** below for additional information.

Devices	Variable Name	Setting	Comments
Communication Devices	Name	<User Defined> (Default: New Device)	
	System #	<Auto Detect>	
	Device Type	(IP to Serial) JAP Serial Over IP / Standard Connection	
	Enable Sharing	<User Defined> (Default: No)	
	Sharing Port	<Auto Detect>	
	IP Address	<User Defined>	This is the IP address of the JAP receiver being used for RS232 control
	Port	<User Defined>	Then port number is 6752.

COMMON MISTAKES

No RS232 COMMANDS ARE BEING RECEIVED

Confirm the JustAddPower system is correctly configured:

- Check the IP address of the communication device matches the IP address of the Cisco switch.
- Ensure the network is correctly configured according to the JustAddDrivers documentation, so that the Cisco switch and the **g!** controller can communicate with each other (particularly, the addition of a “static route” to your router).
- If the Cisco switch has recently been started or restarted, it may take several minutes for the devices to appear.

Confirm the JustAddPower Serial Over IP device is correctly configured:

- Check the IP address of the communication device matches the IP address of the JAP receiver.
- Confirm the correct port number (6752) has been entered.
- Check that the correct type of serial lead is being used between the JAP receiver and the device to be controlled.