

■ AC Power
For *Business-Critical Continuity*™

Liebert® NXC

30 to 40kVA





Emerson Network Power, a division of Emerson, is a global company that combines technology with design to supply innovative solutions for the benefit of its customers.

Emerson Network Power is the leader in the **“business-critical continuity”** field, thanks to the company’s products and services.

Emerson Network Power’s broad technology base and global expertise support a full spectrum of enterprise-wide solutions for today’s vital business needs.



Regardless of your size, you can’t afford for your critical business systems to go down and you can’t waste time recovering your IT infrastructure after a disruption.

Leave that to us, the experts in business-critical continuity: from grid to chip, from the biggest to the smallest data centers, we are ready to serve your needs with the solutions we have developed.

More standardization, so you don’t need further budget allocations to install it. More simplification so you don’t need to be a specialist to get the best for your business. More support, so while you are enjoying doing business, we are protecting you.

Liebert NXC delivers Efficiency Without Compromise™

Efficiency Without Compromise™ provides a path to optimize data center infrastructure around design, operating and management efficiencies - while maintaining or improving availability. This is achieved through the proper selection and utilization of cooling, power and monitoring technologies, supported by key services and local expertise.



INFRASTRUCTURE MANAGEMENT
Improving performance of the IT infrastructure and environment



HIGH DENSITY
Delivering architectures from 10-60kW/Rack to minimise space and costs



ECO AVAILABILITY
Balancing high levels of availability and efficiency.



FLEX CAPACITY
Adapting to IT changes for continuous optimisation and design flexibility.



Liebert® NXC From 30-40 kVA

Features and Performances

- 0.9 output power factor
- Double conversion efficiency over 94%
- Ecomode efficiency up to 98%
- Active input power factor correction (PFC)
- Input current total harmonic distortion correction (THDi) < 5%
- 6 kW battery charger
- Input/output and bypass circuit breakers
- Integrated manual bypass
- Integrated parallel load bus and synchronization port (LBS)

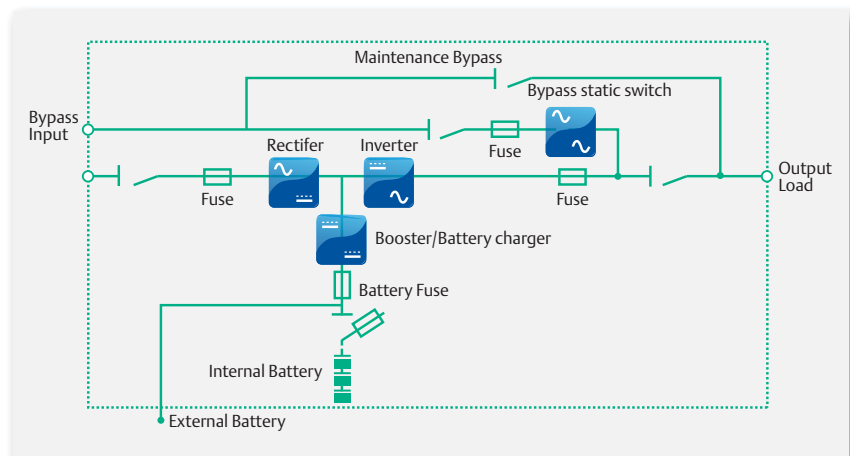
Compact, Reliable Power

Liebert® NXC offers reliable and flexible secure power in a fully integrated package solution. It comes complete with highly efficient transformer-free double conversion technology allowing it to provide installation and running cost savings.

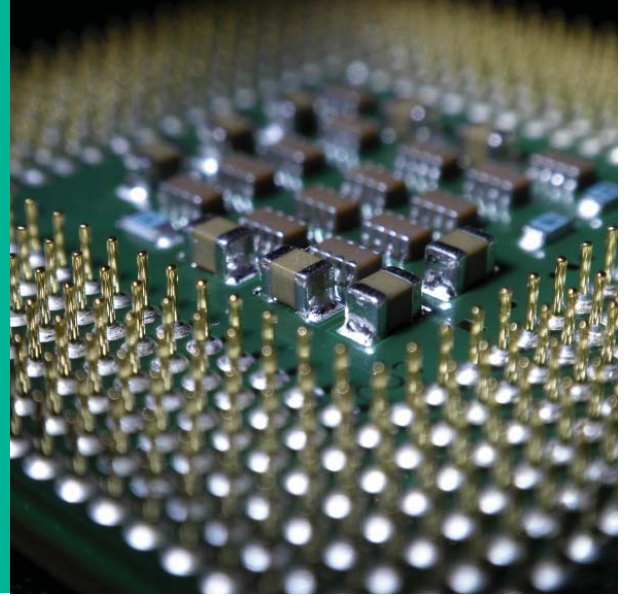
With a rated output power factor of 0.9 Liebert® NXC is also able to provide 11% more active power than a traditional 30-40 kVA UPS. Liebert® NXC's combination of performance features, impressive

integrated autonomy and compact footprint make it ideal for guaranteeing clean, continuous power for a wide range of applications from IT and manufacturing to retail and transport.

Liebert® NXC achieves over 94% efficiency in double conversion mode and up to 98% in Eco mode ensuring effective load protection while reducing the total cost of ownership (TCO) and environmental impact.



Liebert® NXC single-line diagram



Flexibility

Liebert® NXC is a compact solution designed to optimize installation space requirements and provide enhanced flexibility to ensure superior protection for all load types (leading and lagging).

Its low THDi (< 5%) and active input power factor correction ensure that the UPS absorbs less current from the upstream distribution network, thus eliminating the need for oversizing gensets and other equipment.

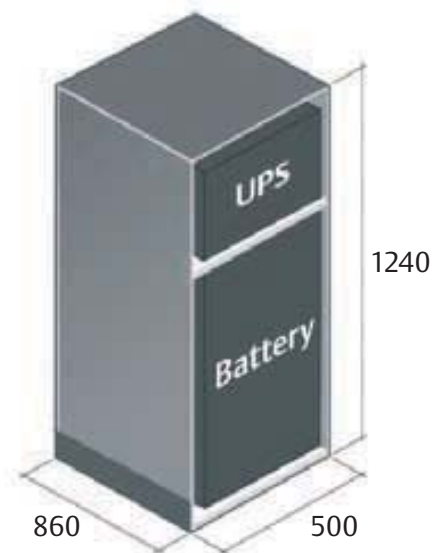
Everything from installation and electrical infrastructure requirements to energy consumption and real estate costs have been taken into consideration to deliver this flexible solution.

Liebert® NXC's flexibility is further enhanced through:

- **Single and three phase output configuration options**
- **Common or distributed battery bank**
- **Reduced footprint**

Output Configuration *

Liebert® NXC can be configured on-site to deliver three (3/3) or single (3/1) phase output giving it the flexibility to adapt to changes in installation environments.



UPS with fully integrated battery

*Please consult Emerson representative for single phase configuration



In The Field

Integrated autonomy

Liebert® NXC provides an excellent integrated autonomy which results in back up times of up to one hour.

The batteries housed inside the UPS cabinet which are responsible for delivering Liebert® NXC's integrated autonomy have the added advantage of virtually eliminating the need for an external battery cabinet, further reducing installation costs and minimizing the demand on physical space.

The powerful 6 kW battery charger of the Liebert® NXC allows the reduction of battery re-charging time and increases its ability to manage longer back up times.

Parallel Ready

Liebert® NXC can be connected with up to four units in parallel, one of which is redundant. A single unit can be upgraded to parallel operation via easy to modify software settings which allow the system to be customized for the requested configuration.

The Loop BUS connection used in paralleling the system delivers ultimate reliability and eliminates the possibility of a single point of failure, ensuring perfect load sharing and fast detection of any variation in the system status.



Communication



Liebert® NXC features a multi-lingual LCD user interface allowing close control and monitoring of system status and performance.

The UPS offers the following communication features:

- Voltage-free contact ports
- USB interface
- Internal Intellislot for SNMP or Modbus communication.

These communication capabilities make Liebert® NXC compatible with any building management system.

Software Connectivity

Liebert Multilink™ software prevents unexpected server shutdowns and minimizes downtime warning of pending power losses and initiating safe shutdown of operating systems if required.

LiebertNform™ network communications system enables customers to leverage the distributed monitoring capabilities of network connected equipment providing centralized management of distributed systems.

Serviceability

The architecture of the Liebert® NXC is designed to optimize installation and simplify service with its easily removable power assembly. This architecture considerably minimizes the time needed for repairs and optimizes serviceability.

Liebert® NXC also comes equipped with casters to facilitate ease of movement and relocation.



Connectivity cards



Life.NET

24/7 Remote Monitoring and Diagnostics Service

It is essential that your critical power protection system is maintained in an optimum state of readiness at all times. Chloride LIFE.net 24/7 remote monitoring system adds real value by identifying, diagnosing and fixing problems affecting your UPS. Chloride LIFE.net is a 24-hour year round communications system designed to remotely diagnose, monitor and manage the operational status of UPS and power distribution systems through a worldwide network. Chloride LIFE.net provides early warning of any alarm condition or out-of-tolerance status, allowing effective pro-active maintenance and fast incident response, giving customers all around the globe complete security and peace of mind.

REPORT

Chloride LIFE.net provides regular operational status reports as a comprehensive demonstration that the UPS is operating successfully and is under continuous remote surveillance.



SOLUTION

Chloride LIFE.net automatically generates a list of alarm conditions and provides a series of possible solutions, leading to the swift identification and resolution of all possible operating anomalies.



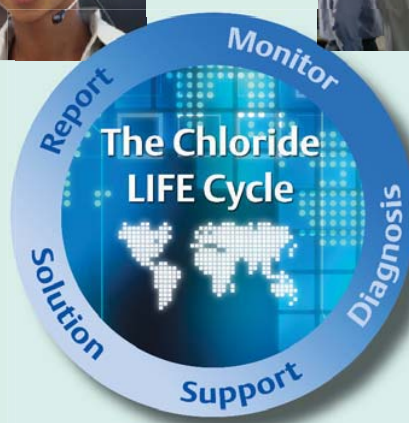
MONITOR

Chloride LIFE.net provides 24/7 continuous monitoring of the mains supply and over 150 separate parameters.



DIAGNOSIS

Chloride LIFE.net's power quality management analysis provides detailed information on the cause of particular alarm conditions, identifies potential future problems, and also provides information on power quality trends.



SUPPORT

Chloride LIFE.net provides 24-hour real-time monitoring of your UPS system, 365 days a year by our experts in the Service Center.

Liebert® NXC Specifications

Technical Characteristics		
Ratings (kVA)	30	40
Output active power at 40° C (kW)	27	36
Output power factor	0.9	
Parallel configuration	4+0	
Input		
Input voltage range at full load (V)	+25% -20% of 380Vac +20% -20% of 400Vac +15% -20% of 415Vac	
Bypass voltage tolerance (%)	Selectable within -40% to +20%	
Input frequency tolerance (Hz)	40 - 70	
Input power factor	0.99	
Input Total Harmonic Distortion	<5%	
Output		
Nominal output voltage-single phase (V)	220/230/240	
Nominal output voltage - three phase (V)	400/415/415	
Nominal output frequency (Hz)	50 / 60	
Frequency synch. range (Hz)	2 Hz (selectable 0.5 - 3 Hz)	
Frequency track rate (Hz)	1 Hz	
Inverter overload capacity (%)	105% continuous; 125% 5min ; 150% 1 min	
Double conversion efficiency (%)	94%	
Eco mode efficiency (%)	up to 98%	
General		
Noise at 1 m (dBA)	<58	
Protection level	IP20	
Frame color	RAL 7021	
Display		
Dimensions And Weight		
Height (mm)	1600	
Width (mm)	600	
Depth (mm)	850	
UPS weight (kg)	215	
Integrated autonomy (min)		
Basic (1x38x9Ah)	15	10

Emerson Network Power Asia

Australia

T: 1800-065345
F: 61-2-97438737

Pakistan

T: 92-42-36622526 to 28
F: 92-42-36622530

Indonesia

T: 62-21-2513003
F: 62-21-2510622

Philippines

T: 63-2-7207400
F: 63-2-6203693

Japan

T: 81-3-54038594
F: 81-3-54032924

Singapore

T: 65-64672211
F: 65-64670130

Korea

T: 82-2-34831500
F: 82-2-5927886

Thailand

T: 66-2-6178260
F: 66-2-6178277 to 78

Malaysia

T: 603-78845000
F: 603-78845188

Vietnam

T: 84-4-37628908
F: 84-4-37628909

New Zealand

T: 64-3-3392060
F: 64-3-3392063

While every precaution has been taken to ensure the accuracy and completeness of this literature, Emerson Network Power assumes no responsibility and disclaims all liability for damages resulting from use of this information or for any errors or omissions.

Emerson, Business-Critical Continuity and Emerson Network Power are trademarks of Emerson Electric Co. or one of its affiliated companies.

© 2012 Emerson Electric Co.
All rights reserved throughout the world. Specifications subject to change without notice.

Emerson Network Power.

The global leader in enabling *Business-Critical Continuity™*.

- AC Power
- Embedded Computing
- Infrastructure Management & Monitoring
- Connectivity
- Embedded Power
- Outside Plant
- DC Power
- Industrial Power
- Power Switching & Controls

www.EmersonNetworkPower.Asia

- Precision Cooling
- Racks & Integrated Cabinets
- Services