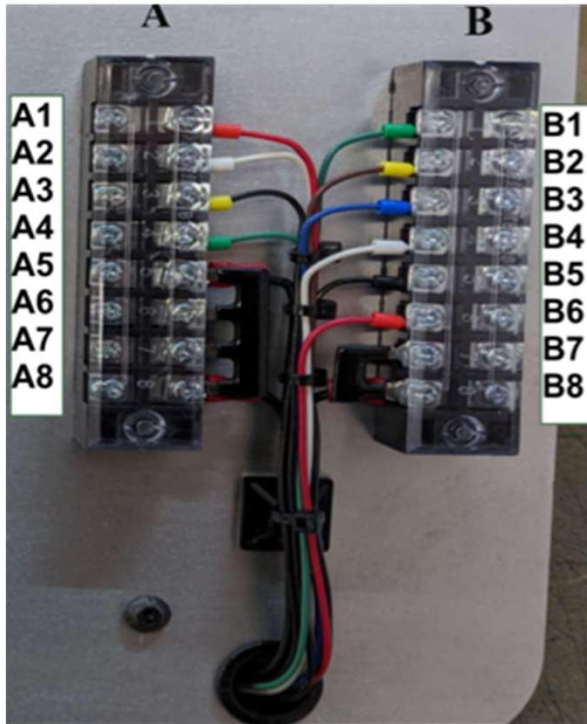
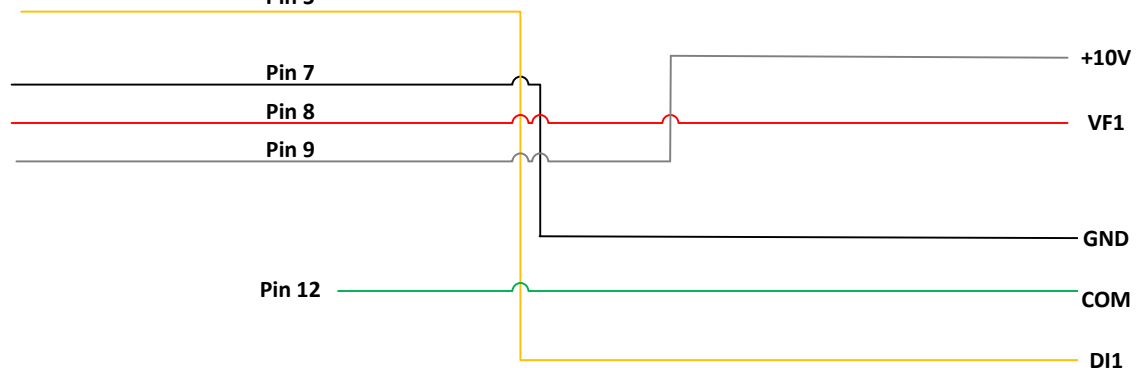


CNC4Newbie



Gecko
G540
Controller

Pin 5
Pin 7
Pin 8
Pin 9
Pin 12



| | | |
|--|--------------------------|--------------------|
| TITLE PwnCNC VFD Wiring Diagram for Gecko G540 Controllers | DRAWN BY DANIEL MORAN | DATE 11/16/2022 |
|--|--------------------------|--------------------|