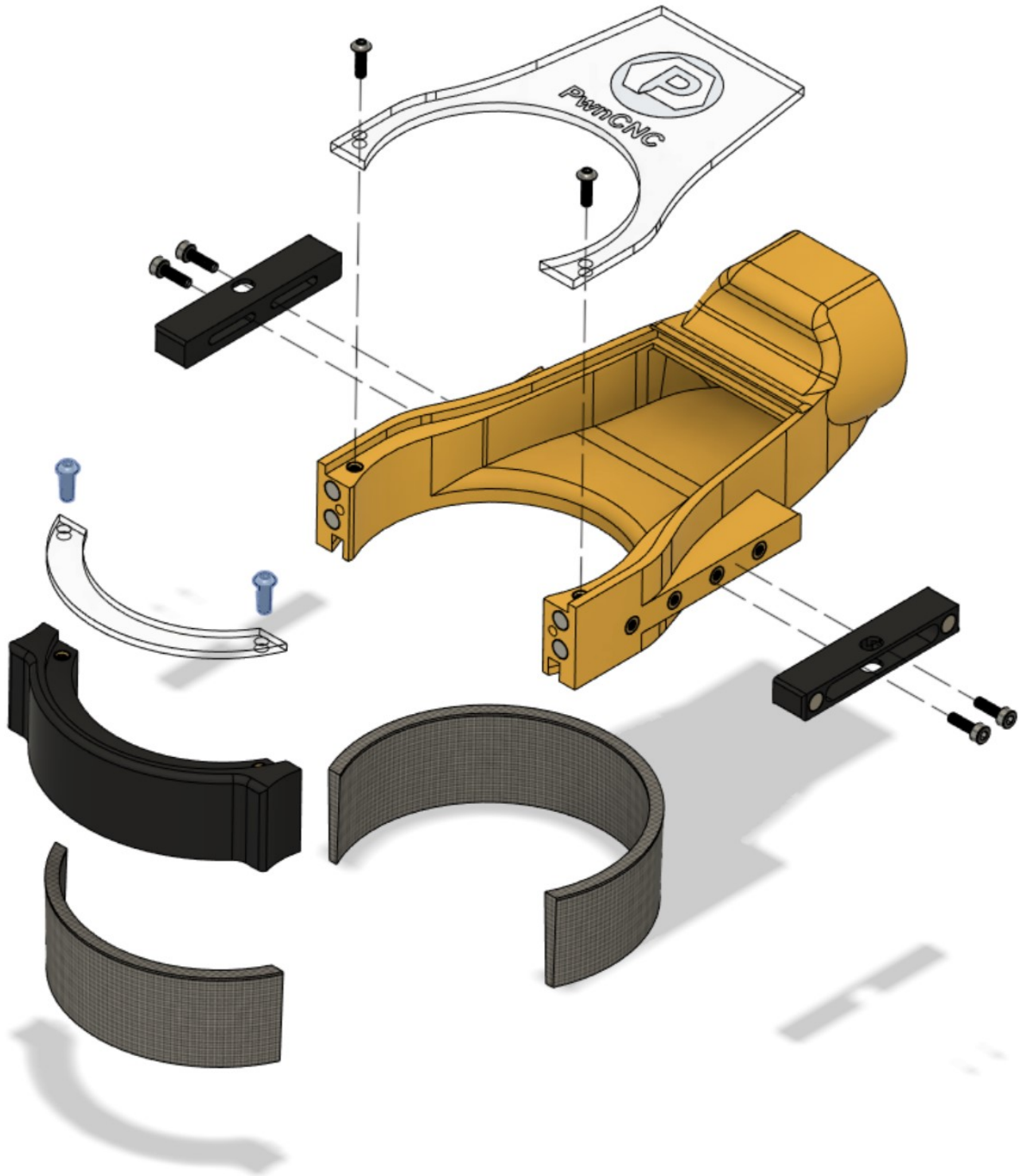
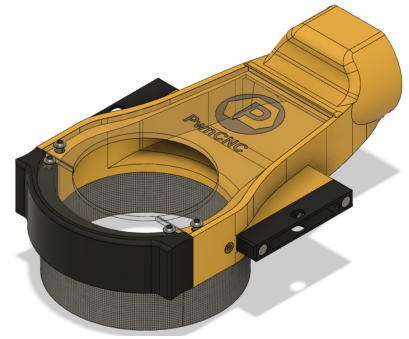


## Dust Boot v3 Assembly



If you have any questions shoot us an email: [support@pwncnc.com](mailto:support@pwncnc.com)