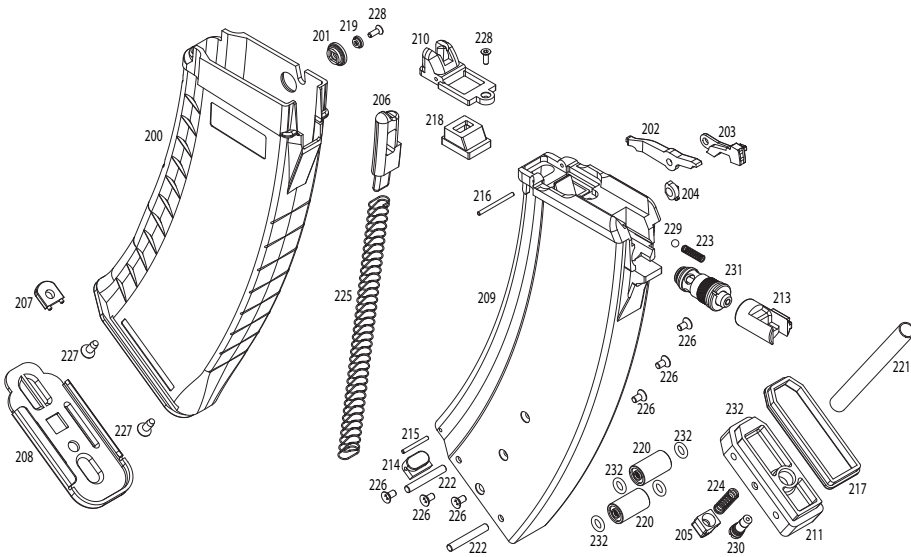


MAGAZINE DIAGRAM AND PARTS LIST



KWA®

OPERATOR'S MANUAL



Parts #	Description
AKG74M-200	MAGAZINE SLEEVE BODY
AKG74M-201	MAGAZINE STOP DIAL
AKG74M-202	MAGAZINE STOP LEVER
AKG74M-203	MAGAZINE STOP INDICATOR
AKG74M-204	MAGAZINE STOP SELECTOR
AKG74M-205	MAGAZINE BASE PLATE STOP
AKG74M-206	MAGAZINE FOLLOWER
AKG74M-207	MAGAZINE STOP KEY
AKG74M-208	MAGAZINE BASE PLATE
AKG74M-209	MAGAZINE BODY
AKG74M-210	MAGAZINE FEED LIP
AKG74M-211	MAGAZINE BASE
AKG74M-213	MAGAZINE RELEASE VALVE BLOCK
AKG74M-214	MAGAZINE FOLLOWER STOP
AKG74M-215	MAGAZINE FOLLOWER STOP PIN
AKG74M-216	MAGAZINE FEED LIP PIN

Parts #	Description
AKG74M-217	MAGAZINE BASE SEAL
AKG74M-218	MAGAZINE NOZZLE SEAL
AKG74M-219	MAGAZINE STOP DIAL SPACER
AKG74M-220	MAGAZINE INNER POST
AKG74M-221	MAGAZINE GAS EXPANSION TUBE
AKG74M-222	MAGAZINE BASE PINS
AKG74M-223	MAGAZINE STOP SPRING
AKG74M-224	MAGAZINE BASE PLATE STOP SPRING
AKG74M-225	MAGAZINE FOLLOWER SPRING
AKG74M-226	MAGAZINE INNER POST SCREWS
AKG74M-227	MAGAZINE BASE SCREWS
AKG74M-228	MAGAZINE FEED LIP SCREW
AKG74M-229	MAGAZINE STOP DIAL DÉTENTE
AKG74M-230	MAGAZINE CHARGING VALVE
AKG74M-231	MAGAZINE RELEASE VALVE
AKG74M-232	MAGAZINE INNER POST SEAL

AKG 74M

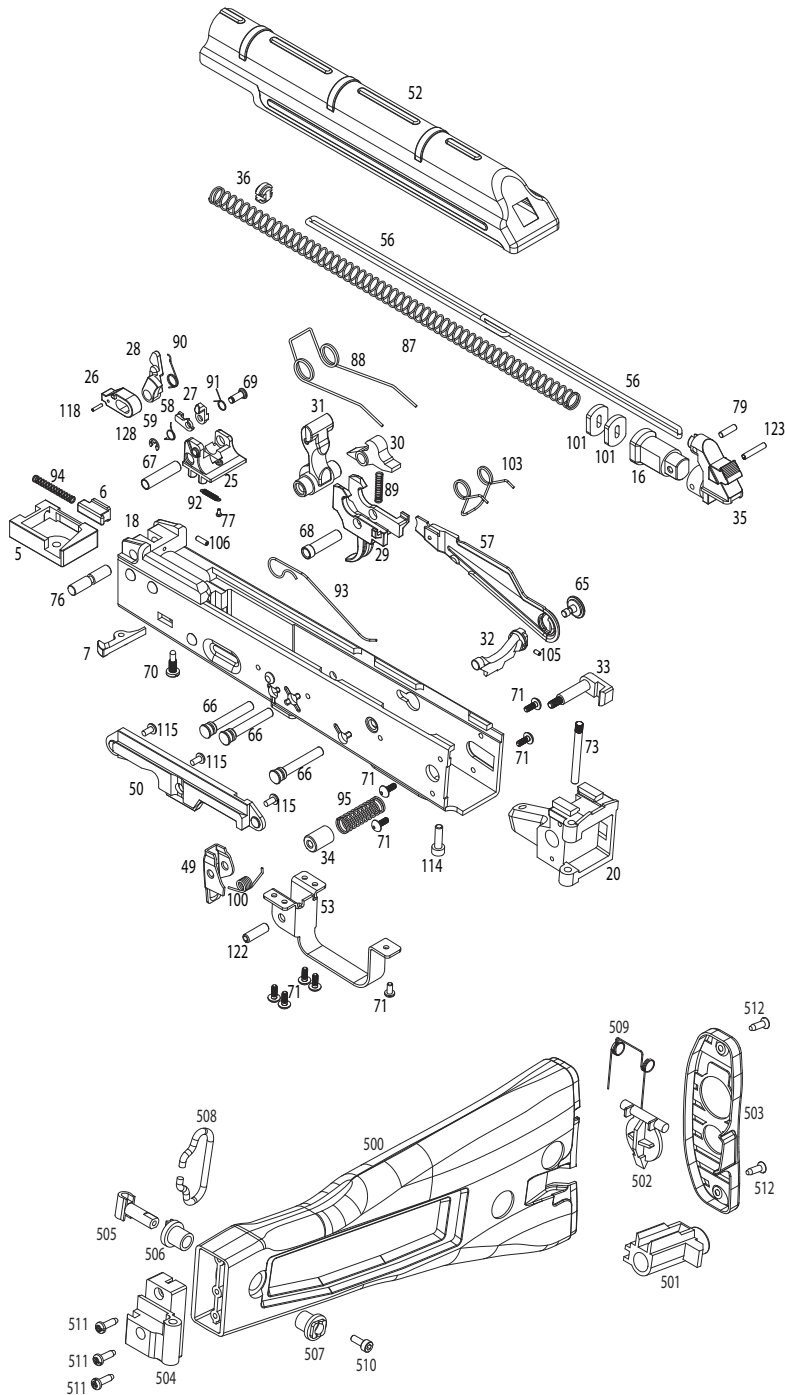
TABLE OF CONTENTS

Use of this manual	2
Safety Guidelines	2-3
Specifications	4
Package Contents	4
Charging Gas	5
Discharging Gas	6
Loading BBs	6-7
Blank Fire Feature	8
Fire Selector Switch.....	9
Folding Stock.....	10
Front Sight Adjustment	10
Disassembly	11
Hop-Up System	12
Cleaning	13-14
Troubleshooting	15
Operating Under Unusual Conditions.....	15
Diagram and Parts Lists	16-19

PARTS LIST

Parts #	Description	Parts #	Description	Parts #	Description
AKG74M-1	PISTOL GRIP	AKG74M-54	HAND GUARD SPRING	AKG74M-106	FRONT TRUNNION PIN SCREW
AKG74M-2	UPPER HAND GUARD	AKG74M-55	REAR SIGHT LEAF SPRING	AKG74M-107	REAR SIGHT LEAF SCREW
AKG74M-3	BOLT	AKG74M-56	RECOIL SPRING GUIDE (2X)	AKG74M-108	REAR SIGHT BASE SCREW
AKG74M-4	INNER PISTON	AKG74M-57	SELECTOR LEVER	AKG74M-110	GAS BLOCK SCREW
AKG74M-5	FRONT LATCH BASE	AKG74M-58	IMPACT HAMMER STOP	AKG74M-111	INNER BARREL BASE SCREWS
AKG74M-6	FRONT LATCH DÉTENTE	AKG74M-59	IMPACT HAMMER STOP SPRING	AKG74M-112	CHAMBER SCREW
AKG74M-7	FRONT LATCH	AKG74M-60	OUTER BARREL	AKG74M-114	REAR TRUNNION BASE SCREW
AKG74M-8	INNER BARREL BASE	AKG74M-61	GAS TUBE	AKG74M-115	SIDE RAIL SCREWS
AKG74M-9	INNER BARREL CLAMP	AKG74M-62	GAS PISTON	AKG74M-117	GAS PLUG PIN
AKG74M-10	HOP-UP CYLINDER	AKG74M-63	INNER BARREL	AKG74M-118	IMPACT HAMMER RESET PIN
AKG74M-11	HOP-UP ADJUSTMENT DIAL	AKG74M-64	CLEANING ROD	AKG74M-119	INNER PISTON PIN
AKG74M-12	JET NOZZLE	AKG74M-65	SELECTOR LEVER PIN	AKG74M-120	CYLINDER PLUG PIN
AKG74M-13	LOWER HAND GUARD	AKG74M-66	FIRE CONTROL GROUP PINS	AKG74M-121	BOLT CARRIER PIN
AKG74M-15	HOP-UP NUB	AKG74M-67	IMPACT HAMMER SLEEVE	AKG74M-122	MAGAZINE CATCH PIN
AKG74M-16	RECOIL BUFFER	AKG74M-68	TRIGGER SLEEVE	AKG74M-123	RECOIL BUFFER PIN
AKG74M-17	BOLT BASE	AKG74M-69	IMPACT HAMMER RESET PIN	AKG74M-124	CYLINDER PLUG SEAL
AKG74M-18	RECEIVER	AKG74M-70	FRONT LATCH SCREW	AKG74M-125	CYLINDER PLUG SPACER
AKG74M-19	REAR SIGHT BASE	AKG74M-71	TRUNNION SCREWS	AKG74M-126	INNER PISTON SEAL
AKG74M-20	REAR TRUNNION	AKG74M-72	GRIP SCREW	AKG74M-127	LONG BOLT CARRIER SCREW
AKG74M-21	BOLT CARRIER	AKG74M-73	STOCK HINGE PIN	AKG74M-128	IMPACT HAMMER E-CLIP
AKG74M-22	PISTON STOP	AKG74M-74	REAR SIGHT BLOCK PIN	AKG74M-500	POLYMER STOCK
AKG74M-23	UPPER HAND GUARD RETAINER	AKG74M-75	HOP-UP NUB SPACER	AKG74M-501	STOCK RELEASE BUTTON
AKG74M-24	HAND GUARD STOP	AKG74M-76	FRONT TRUNNION PIN	AKG74M-502	STOCK TRAPDOOR
AKG74M-25	IMPACT BLOCK BASE	AKG74M-77	IMPACT BLOCK RESET SPRING PIN	AKG74M-503	STOCK BUTTPLATE
AKG74M-26	IMPACT HAMMER	AKG74M-78	SHORT BOLT CARRIER SCREW	AKG74M-504	STOCK HINGE
AKG74M-27	IMPACT HAMMER LOCK	AKG74M-79	RECOIL SPRING GUIDE SET PIN	AKG74M-505	STOCK SLING SWIVEL BASE
AKG74M-28	INTERRUPTER	AKG74M-80	RECOIL SPRING GUIDE SET PIN	AKG74M-506	STOCK SLING SWIVEL
AKG74M-29	TRIGGER	AKG74M-81	PISTON RETURN SPRING PIN	AKG74M-507	STOCK SLING SWIVEL CAP
AKG74M-30	SEAR	AKG74M-82	JET NOZZLE PIN	AKG74M-508	STOCK SLING LOOP
AKG74M-31	HAMMER	AKG74M-85	HOP-UP BUCKING	AKG74M-509	STOCK TRAPDOOR SPRING
AKG74M-32	SELECTOR BASE	AKG74M-86	PISTON SEAL	AKG74M-510	STOCK SLING SWIVEL SCREW
AKG74M-33	STOCK LOCKING LATCH	AKG74M-87	RECOIL SPRING	AKG74M-511	STOCK HINGE SCREW
AKG74M-34	STOCK LATCH RELEASE BUTTON	AKG74M-88	HAMMER SPRING	AKG74M-512	STOCK BUTTPLATE SCREW
AKG74M-35	RECOIL SPRING GUIDE BASE	AKG74M-89	SEAR SPRING	AKG74M-520	FRONT SIGHT POST SPACER
AKG74M-36	RECOIL SPRING GUIDE STOP	AKG74M-90	INTERRUPTER SPRING	AKG74M-521	MUZZLE BRAKE
AKG74M-37	LOWER HAND GUARD RETAINER	AKG74M-91	IMPACT HAMMER LOCK SPRING	AKG74M-522	MUZZLE BRAKE SPACER
AKG74M-38	HAND GUARD RETAINER LEVER	AKG74M-92	IMPACT HAMMER RESET SPRING	AKG74M-523	FRONT SIGHT
AKG74M-39	HAND GUARD RELEASE LEVER	AKG74M-93	HAMMER GROUP LOCK SPRING	AKG74M-524	FRONT SIGHT POST
AKG74M-40	CYLINDER PLUG	AKG74M-94	FRONT LATCH SPRING	AKG74M-525	MUZZLE BRAKE DÉTENTE
AKG74M-45	GAS BLOCK	AKG74M-95	STOCK LATCH SPRING	AKG74M-526	MUZZLE BRAKE DÉTENTE SPRING
AKG74M-46	REAR SIGHT LEAF	AKG74M-96	JET NOZZLE SPRING	AKG74M-527	THREADED BARREL NUT
AKG74M-47	REAR SIGHT ADJUSTMENT BUTTON	AKG74M-97	PISTON RETURN SPRING	AKG74M-528	BARREL NUT SCREW
AKG74M-48	REAR SIGHT SLIDER	AKG74M-99	REAR SIGHT SLIDER SPRING	AKG74M-529	MUZZLE BRAKE DÉTENTE SCREW
AKG74M-49	MAGAZINE CATCH	AKG74M-100	MAGAZINE CATCH SPRING	AKG74M-530	FRONT SIGHT SCREW
AKG74M-50	OPTICS SIDE RAIL	AKG74M-101	RECOIL BUFFER PAD		
AKG74M-52	DUST COVER	AKG74M-102	PISTON STOP SCREW		
AKG74M-53	TRIGGER GUARD	AKG74M-103	TRIGGER SPRING		
		AKG74M-105	SELECTOR LEVER PIN		

PARTS DIAGRAM



USE OF THIS MANUAL

Before operating the Airsoft gun, read this manual in its entirety. Important safety topics and tips are discussed throughout all of the chapters. It's important that the operator know the principles of gun handling safety and operation prior to firing the Airsoft gun.

SAFETY GUIDELINES



WARNING! Failure to follow safety guidelines may result in serious injury.

Safety Distance

The effective shooting range is approximately 175 feet. BBs fired from this Airsoft gun may travel further than intended. Make certain that you have an adequate backstop.

Eye Protection

Eye protection should be worn at all times when both shooting and maintaining your Airsoft gun. Protect your eyes from BBs under spring pressure while performing maintenance on your Airsoft gun.

Assume Every Gun is Always Loaded

Until you are certain the chamber is empty, treat every gun as if it were loaded. Do not assume the chamber is empty based on your memory or someone else's words. Always remove the magazine and visually check to confirm the chamber is empty.

Beware of Barrel Obstructions

Ensure the Airsoft gun barrel is free of obstructions before you fire the gun. Even the smallest obstruction such as dirt, dust or a stuck cleaning patch can cause a jam, misfire or malfunction.

Muzzle Control

Always keep the muzzle of the gun pointed in a safe direction. Never point the muzzle at a person or object that you do not intend to shoot.

Keep Your Safety On

Keep the gun's safety on until your sights are aligned on your target and you are ready to fire.

Keep Your Finger Off The Trigger

Keep your finger off the trigger and out of the trigger guard until your sights are aligned on your target and you are ready to fire.



WARNING! Airsoft BBs can be a choking hazard. Keep them away from children.

SAFETY GUIDELINES

Identify Your Target and Backstop

Before you pull the trigger, make certain of your target and what is beyond it. The Airsoft gun should never be fired at surfaces such as rocks, glass, water, or other hard surfaces where BBs are likely to ricochet in unpredictable directions.



WARNING! Adult supervision is required for any person under the age of 18.

Failure To Fire

If the Airsoft gun fails to fire, misfires, or malfunctions, do not look into the gun barrel. BBs can become lodged into the chamber, and serious eye injury may occur.

Maintain Your Gun Properly

Performing proper maintenance, as outlined in this manual, ensures that your Airsoft gun will be safe to shoot and will perform to its designed specifications for many years. Alterations, modifications or adjustments may damage your Airsoft gun, make it unsafe to shoot, and will void all warranty claims.

Store Your Gun Safely

Always store the Airsoft gun in a safe place, and out of the reach of children. Always transport the Airsoft gun in a carrying case. Never display the Airsoft gun in a public place. Keep the safety engaged, and remove the magazine before storing the Airsoft gun.

NOTE: IT IS YOUR RESPONSIBILITY TO TAKE EVERY REASONABLE PRECAUTION TO ENSURE THE SAFE STORAGE AND TRANSPORTATION OF YOUR AIRSOFT GUN.

Orange Tip

The orange tip on Airsoft guns helps Law Enforcement distinguish between the replica guns from their real firearm counterparts. Altering the coloration or markings required by state or Federal law so as to make the product look more like a firearm is dangerous and may be a crime. Operator assumes all risks and responsibility when doing so.

Hazards of Being Mistaken for a Real Firearm

Airsoft guns have been mistaken by Police and Law Enforcement as real firearms. A confrontation with law enforcement while carrying an Airsoft gun can result in serious injury or even death. It is strongly advised to operate the Airsoft gun at a safe and legal location. In the event that you are approached by Law Enforcement personnel, you must comply with their instructions immediately to avoid an incident.

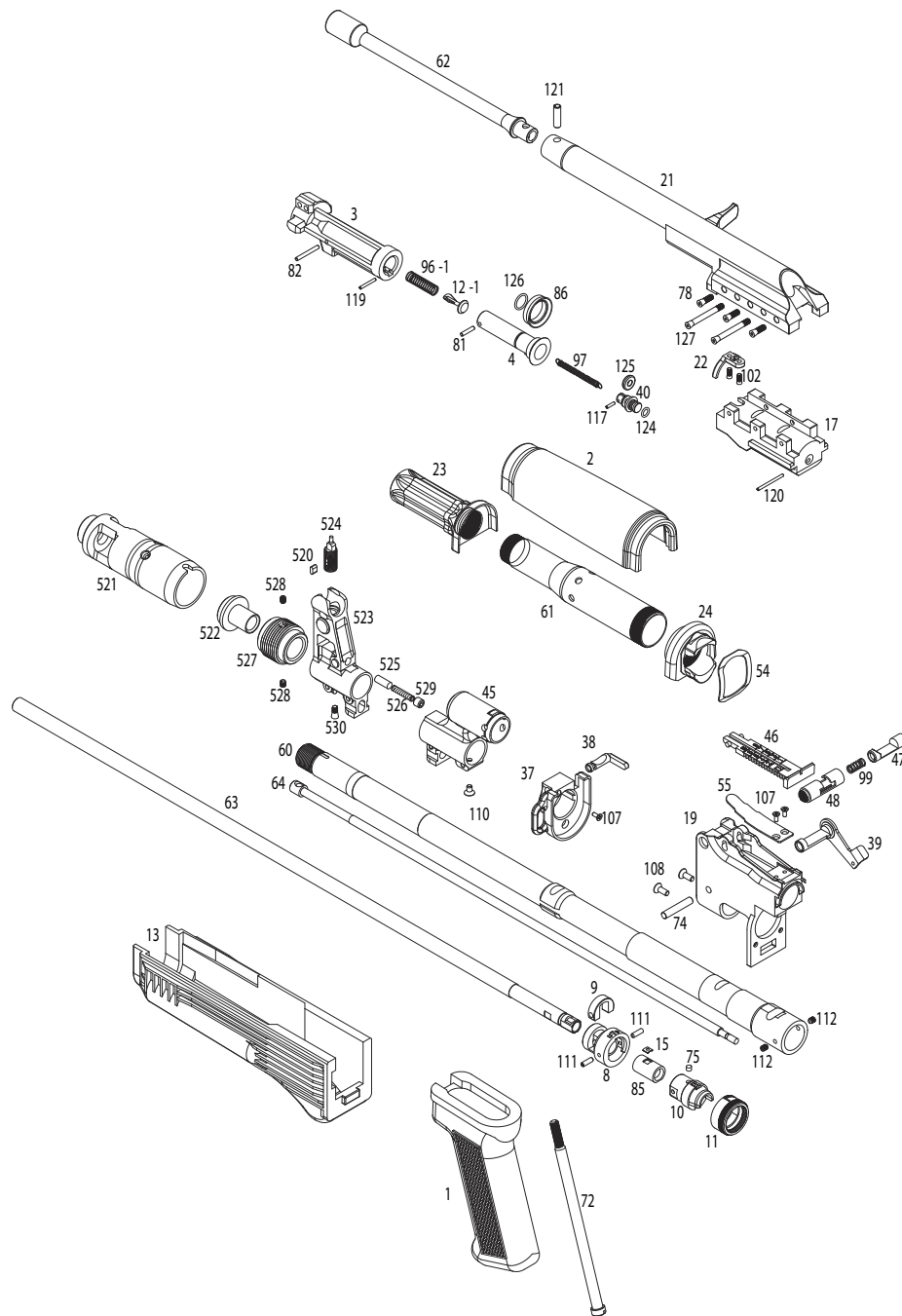
Alcohol, Medications and Drugs

Do not handle or operate your Airsoft gun while under the influence of alcohol, medication or drugs.

Your Responsibility

Your Airsoft gun is well-engineered and manufactured to the highest standards. It was carefully inspected before it was packaged and shipped from our factory. Its safe use depends on you alone. You are the ultimate safety device. Like many other devices, your Airsoft gun is safe unless handled in an irresponsible or uneducated manner.

PARTS DIAGRAM



BASIC TROUBLESHOOTING GUIDE

SYMPTOMS	POSSIBLE CAUSE	SOLUTIONS
Slide jams / Will not complete cycle	Dry internals	Add silicone to cylinder / main seal/ rails
Double feeds BBs into chamber / BB's roll out of barrel	Hop-up adjustment too tight	Release hop-up or replace bucking
BBs will not release from magazine / bent mag lip/ check bb condition	Bent magazine lip	Replace magazine lip
Leaking release valve & charging valve	Dry O-ring	Add silicone oil to valves / Replace valves
Slide stop engages while shooting BBs	Weak slide stop spring	Adjust tension
Magazine base plate will not lock	Broken base plate lock	Replace base plate lock
Magazine base leaking air	Worn out base seal	Replace magazine base seal
Cylinder will not load BBs into chamber	Broken cylinder tab	Replace cylinder
Trigger will not reset	Worn out trigger spring / trigger bar spring	Replace trigger spring / trigger bar spring

OPERATING UNDER UNUSUAL CONDITIONS

Unusual conditions are defined as any condition requiring special maintenance. Perform maintenance outlined for the climate similar to your operational area

Extreme Cold:

Operating an Airsoft gas gun in extremely cold temperatures is not recommended. Cold temperatures will cause the Hop-up Bucking to harden, reducing its effectiveness. Gas will not expand properly in cold temperatures, so both the cycling rate and power will be dramatically reduced.

Extreme Heat:

Operating an Airsoft gas gun in extremely hot temperatures is also not recommended. Leaving the gun in direct sunlight for long periods of time, or operating in extremely hot areas will cause the gas to over-expand, damaging the internal workings of the gun. The increase in internal pressure from the expanding gas can also damage the seals and cause leaks in the magazine.

Dust or Sand:

Dust or sand can get into a gas gun and cause malfunctions and/or excessive wear. Keep the gun covered whenever possible. Use lubricant sparingly, as lube naturally attracts dirt and other particles. After use in a dusty area, always field strip the gun (refer to Disassembly Section) and clean any areas you can reach with a soft, lint-free cloth.

SPECIFICATIONS

- Overall Length (Retracted) = 70.5 cm [27.76"]
- Overall Length (Extended) = 94.5 cm [37.20"]
- Inner Barrel Length = 420 mm
- Inner Barrel Diameter = 6.05 mm
- Weight = 3.52 kg [7.76 lbs]
- Barrel Thread = -14 mm
- Caliber = 6 mm
- Magazine Capacity = 40 rounds
- Rate of Fire = 14+ RPS
- Velocity = 118-125 MPS [390-410 FPS]
- Energy Output with 0.20g BB = 1.49 Joules
- Gas System = Force Velocity
- Propellant = Green Gas

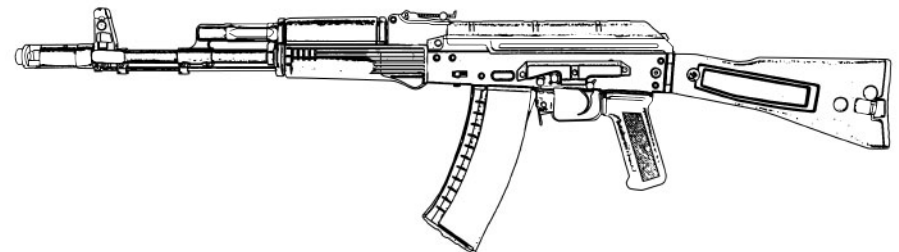
*Individual test results may vary depending on brand of BBs, and chronograph used.

Special Features:

- Gas operated recoil blow back
- Realistic construction & field stripping
- Fully metal alloy receiver
- AK side rail
- Folding stock
- Blank fire mode
- Semi and full auto select fire
- Adjustable hop-up

PACKAGE CONTENTS

- 1 AKG 74M Airsoft Gun
- 1 Safety Cap
- 1 Sight Adjustment Tool
- 1 Cleaning Rod
- 1 Owners Manual
- 1 Oil Bottle



CHARGING GAS

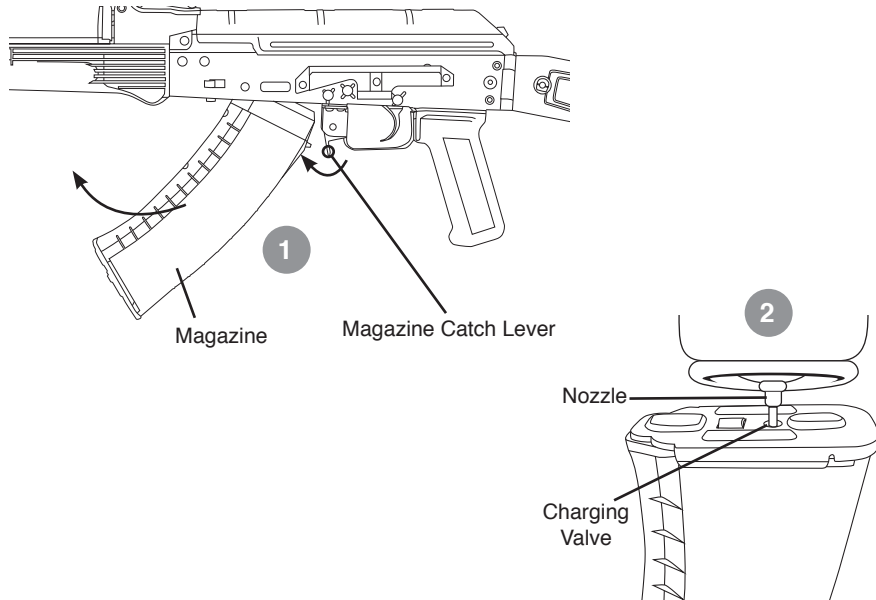
1. Release the magazine by pressing the magazine catch lever towards the magazine.
2. Push the gas canister nozzle into the charging valve. Make sure the canister is in a vertical position when charging.
3. Charge the magazine for approximately 30-40 seconds.



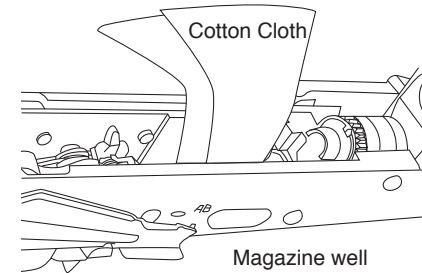
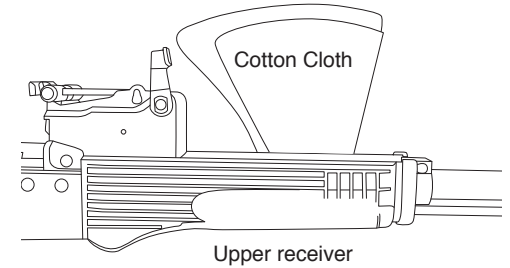
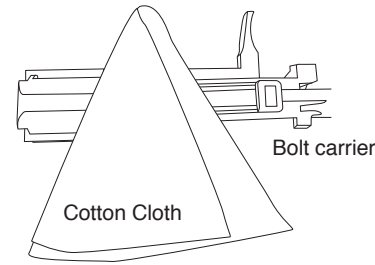
WARNING: Avoid dropping the magazine. Sudden impact with a hard surface may cause damage to the magazine.

Note: It is normal to have minor leaking from the charging valve during charging due to high pressure built up inside the magazine. It is recommended to keep the gas release valve slightly oiled. Room temperature is the ideal temperature for shooting. You may experience a delayed action if the surrounding temperature drops below 68° F.

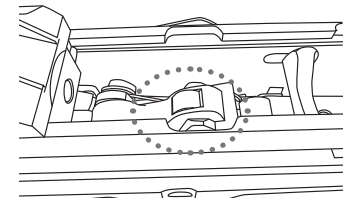
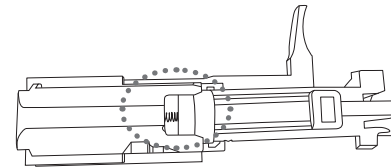
Note: Do not expose the magazine to direct sunlight or incinerate the magazine, as this may cause the magazine to burst. It is strongly recommended to empty the gas from the magazine after shooting. Be certain that the gas does not make contact with eyes or skin while being released, as any contact will cause cold burns.



6. Use a clean cotton cloth to wipe down the surface of the charging handle and bolt carrier.
7. Use a clean cotton cloth to clean inside the upper receiver and magazine well.
8. Clean the remainder of the Airsoft gun with cotton-tipped swab, or general purpose cleaning cloths.



9. Oil the cylinder and hammer.



Lubricating dry seals and o-rings are essential. Unload BBs from the magazine. Make sure the magazine is free of gas before lubricating the magazine's charging valve and release valve.

Use only the recommended 100% silicone oil, available for purchase at the Airsoft dealer where you purchased your KWA products. Any other type of lubricant may damage the products.



WARNING! DO NOT use silicone oil as a cleaning solution for the inner barrel.

CLEANING

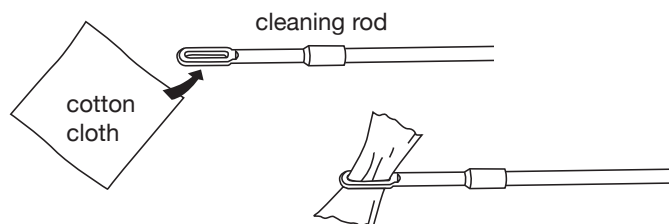


WARNING! Unload and clear the Airsoft gun before cleaning.

Cleaning Procedure

The Airsoft gun barrel should be cleaned after each shooting session. Regular cleaning prevents the effects of BB residue buildup that can hinder performance or jam the gun.

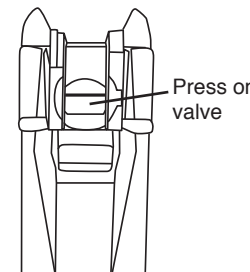
1. Ensure that the safety is engaged
2. Remove the magazine and clear the chamber of loaded BBs
3. Disable Hop-Up by dialing to the normal position (see Hop-Up section)
4. Disassemble the receiver (see Disassembly section)
5. Steps to use cleaning rod:
 - a. Cut a piece of clean cotton cloth to 1 inch by 0.5 inch size. Insert one end of the cloth into the hole in the cleaning rod (adjust the length of cloth for smooth entry into the barrel)
 - b. Wind the cloth around the cleaning rod
 - c. Insert the cleaning rod into the inner barrel, and push the rod through.
 - d. Remove the cleaning rod and check the cotton cloth for dirt. Repeat steps a. through c. when necessary.



WARNING! DO NOT use spray silicone oil as a cleaning solution for the inner barrel.

DISCHARGING GAS

Hold the magazine at the bottom. Press the valve. Residual gas may now be discharged.



Green Gas safety tips:

- Check the canister for any cracks or leaks before using.
- Do not expose the canister to temperature over 104° F.
- Do not leave the canister directly over fire.
- Do not heat the canister.
- Keep the canister away from direct sunlight.
- Do not leave the canister in any type of vehicle.

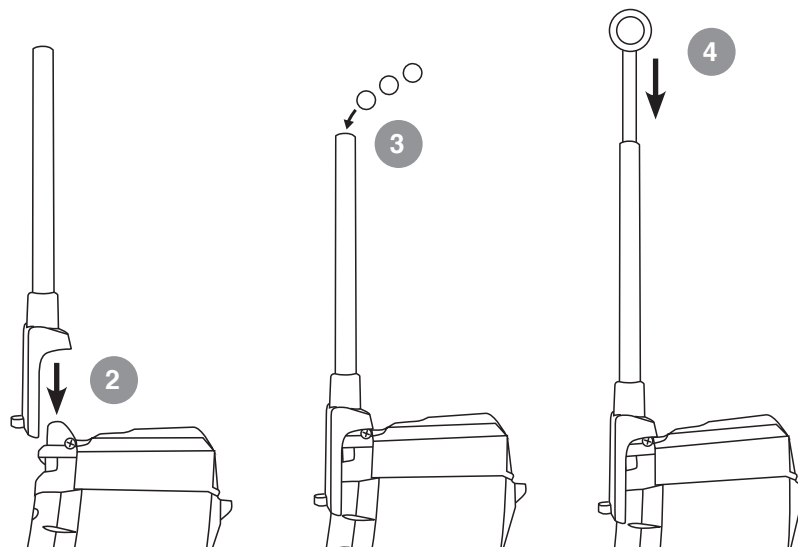
BB LOADING BBS

OPTION ONE - USING STANDARD BB LOADER

1. Release the magazine from the Airsoft gun by pressing the magazine catch button.
2. Fit the standard BB loader over the magazine feed lip.
3. Load the BBs into the BB loader.
4. Insert the plunger into the BB loader and push down to load BBs into the magazine.

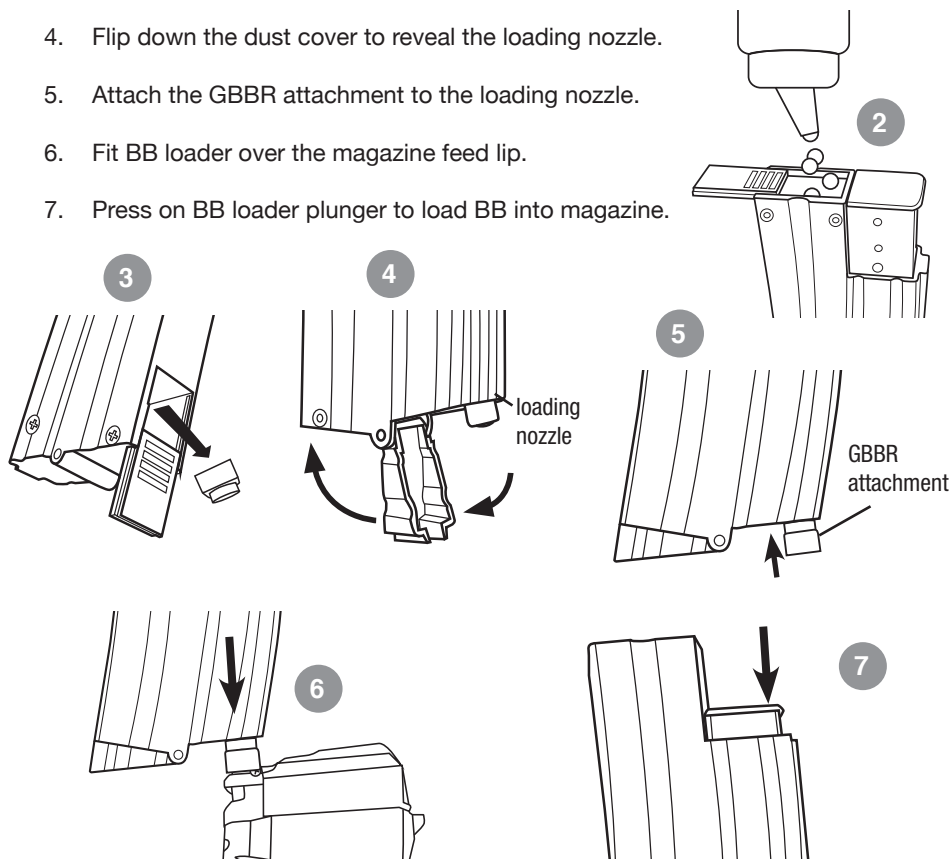


WARNING: Always use high quality 6mm BBs, weighting 0.2g or heavier. For best result use 0.25g KWA Perfect BBs. Never use recycled or low grade BBs to prevent damage to your gun.



OPTION TWO - USING KWA HIGH PERFORMANCE BB LOADER

1. Release the magazine from the Airsoft gun by pressing the magazine catch button.
2. Slide open the trap door on top of the BB loader. Fill the BB loader with BBs. *Do Not Overfill.
3. Slide open the accessory trap door and remove the GBBR attachment.
4. Flip down the dust cover to reveal the loading nozzle.
5. Attach the GBBR attachment to the loading nozzle.
6. Fit BB loader over the magazine feed lip.
7. Press on BB loader plunger to load BB into magazine.



WARNING: Always use high quality 6mm BBs, weighting 0.2g or heavier. For best result use 0.25g KWA Perfect BBs. Never use recycled or low grade BBs to prevent damage to your gun.

BB loading safety tips:

- Switch the selector to safe
- Be sure the safety cap is on
- Keep your finger off the trigger at all times

HOP-UP SYSTEM

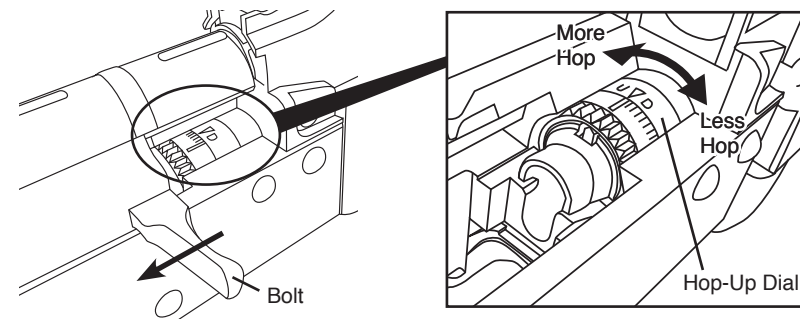
The Hop-Up device is one of KWA's standard features, giving Airsoft BBs greater stability, further travel, and increased accuracy. Airsoft BBs are light-weight and can be affected by wind when fired. With the Hop-Up system, the trajectory of the Airsoft BBs can be adjusted according to the shooting environment or surroundings.

HOP-UP ADJUSTMENT

1. Test fire the gun to determine the amount of hopup needed.
2. Remove the Magazine.
3. Pull the bolt back to access the Hop-Up Dial.
4. Turn the Hop-Up Dial to adjust hop.
5. Left for more hop, right for less hop.
6. Test fire and adjust as needed.



WARNING: Do not release the bolt with hand in the chamber.



HOP-UP ADJUSTMENT POINT

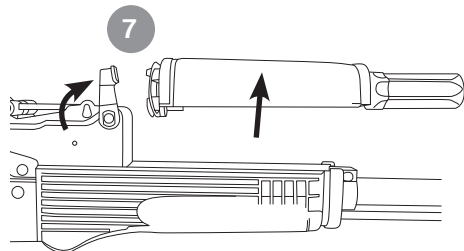
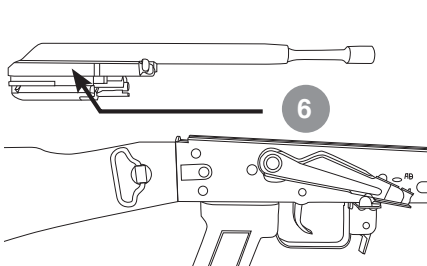
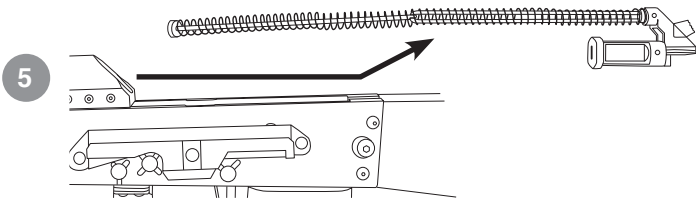
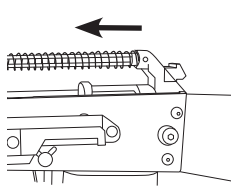
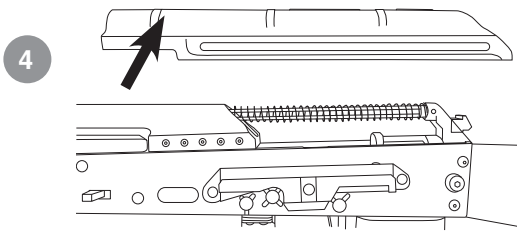
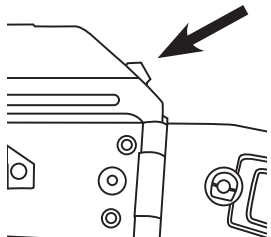
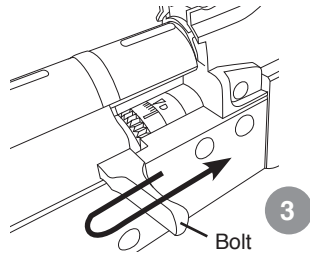
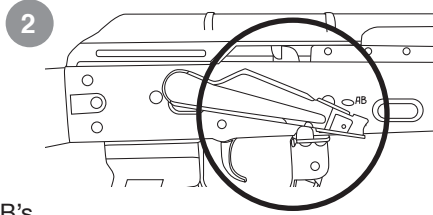
HOP UP EFFECTIVENESS	BB TRAJECTORY PATTERN	ADJUSTMENTS
NOT EFFECTIVE	BB DROPS FREELY	TURN KNOB TO LEFT
SLIGHTLY	BB TRAVELS AT SHORT TRAJECTORY PATH	TURN KNOB SLIGHTLY TO LEFT
PROPERLY	BB TRAVELS DISTANCE AT A FLAT TRAJECTORY PATH	NO ADJUSTMENT MADE
OVERLY	BB TRAVELS FLAT IN SHORT DISTANCE, THEN GOES UP IN CURVE AND DROPS FREELY	TURN KNOB SLIGHTLY TO RIGHT
EXTREMELY EFFECTIVE	BB TRAVELS AT UNSTABLE SPEED AND IRREGULAR PATH	TURN KNOB TO RIGHT

DISASSEMBLY



WARNING: Always place the safety cap on the barrel tip when servicing your gun.

1. Remove magazine.
2. Set the selector to semi-automatic.
3. Charge the bolt to reset the hammer.
Note: Check and clear the chamber of BB's.
4. Depress the spring guide to lift the cover.
5. Push the spring guide forward then left to remove the spring guide.
6. Pull the bolt back then remove the bolt.
7. Flip up the take-down lever then remove the hand guard.



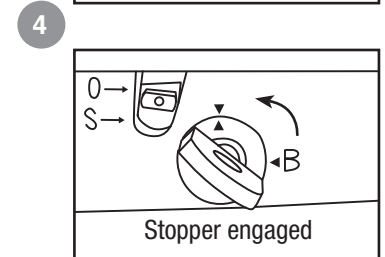
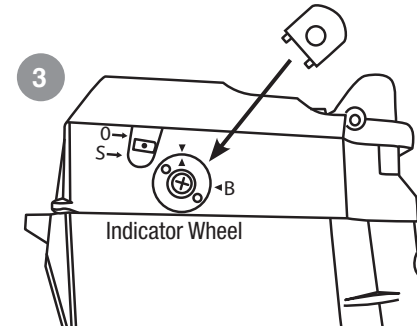
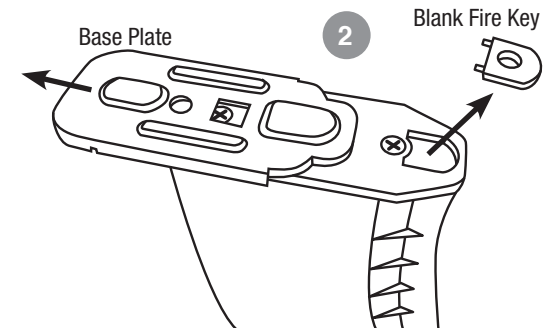
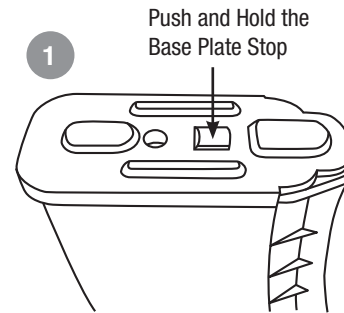
BLANK FIRE MODE

One of the standard features of the KWA AKG-74 Series is the Integrated Blank Fire Device implemented in every AKG-74 magazine. This allows for the AKG-74 to be fired continuously without ammunition for training use.

1. Push down and hold the Base Plate Stop to release the Magazine Base Plate.
2. Slide the Base Plate backwards to reveal the Blank Fire Key.
3. Insert the key into the Indicator Wheel.
4. Turn the Indicator Wheel to the desired position as shown.



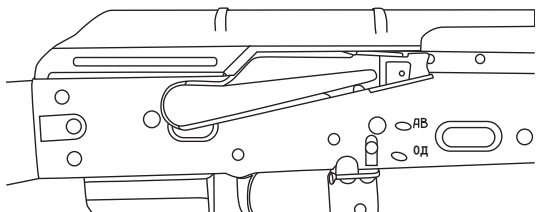
WARNING! Any loaded rounds can still fire with the Blank Fire Device activated. Always make sure the gun is unloaded by inspecting BOTH the chamber and magazine. Failure to do so may result in serious injury and/or damage to property.



FIRE SELECTOR SWITCH

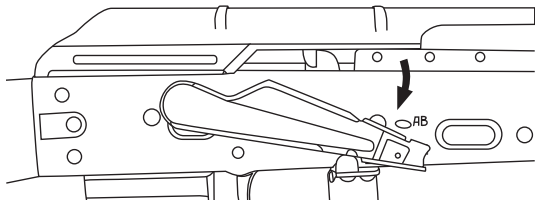
1. Safe

In Safe mode the gun will not fire. For safety reasons, you should keep the switch in Safe mode at all times when you are not ready to fire.



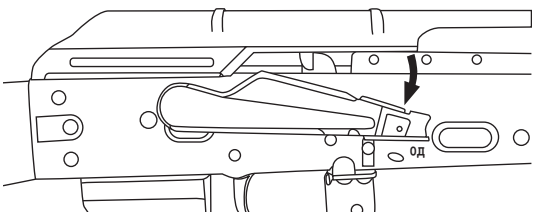
2. Semi-Auto

In Semi-Auto mode the gun will fire one shot for each time you squeeze the trigger.



3. Full Auto

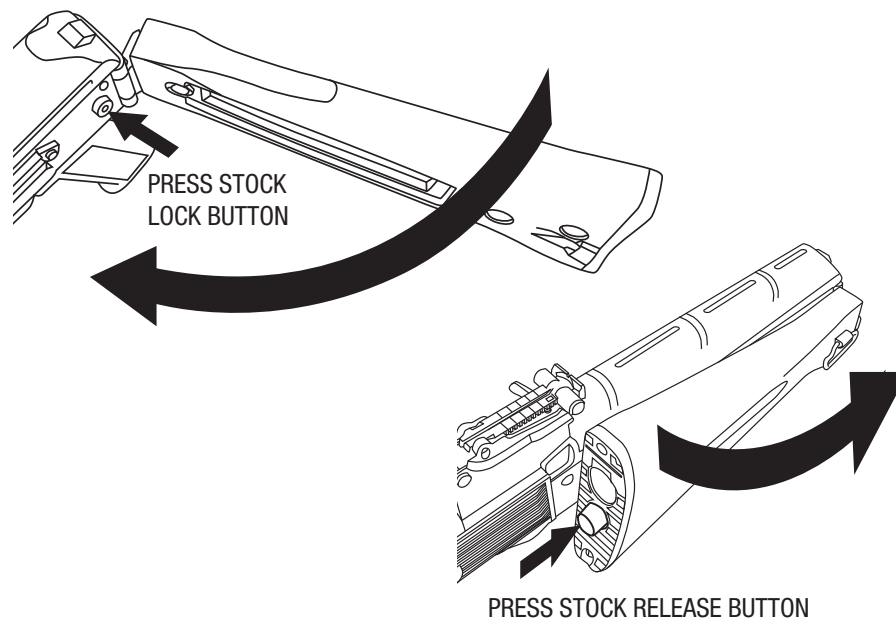
In Full Auto mode the gun will fire continuously as long as the trigger is depressed.



WARNING: Do not squeeze the trigger when switching the fire selector.

FOLDING STOCK

- Press the stock lock button and swing the stock into folding position until it click into place.
- Press the stock release button to release the stock and swing the stock outward until it click into position.



FRONT SIGHT ADJUSTMENT

- The front sight can be moved up and down to zero the sights.
- Turn counter clockwise to lower the point of Impact.



WARNING! If turned too far, the front sight will come off.